

PRODUCT CATALOG



2026
2026.01-2026.12



Company Profile

Affordable price, reliable quality

The corporate vision: "the pursuit of exceptional dental equipment", ADS has specialized in manufacturing dental capital equipment for more than 19 years. Attention to detail is always the most important factor with regard to our quality control system. Our equipment is sold in over 80 countries worldwide including Western Europe and Japan.

Our Ontario California location houses our equipment showroom and warehouse facility. All our equipment inventory and spare parts are stocked for fast delivery anywhere in the United States. Our outside field sales and technical support teams help to facilitate support in the ordering and the installation of our equipment, making the transition from ordering to install seamless. Our primary goal is to design, create and supply contemporary and reliable dental equipment at an affordable price.

Following our company core values: Quality first, Trust, Respect, Passion and Happiness; the ADS team will endeavor to provide products that incorporate a user friendly experience for the dental professional while providing after sales support to our customers and dealer network.

Quality first

Trust · Respect · Passion · Happiness

Customer Service

Available Monday thru Friday, 7:30AM to 4:30PM, Pacific Standard Time


 **Technical Support:** 800-488-9708


West Coast: 626-633-7636

East Coast: 626-366-3848

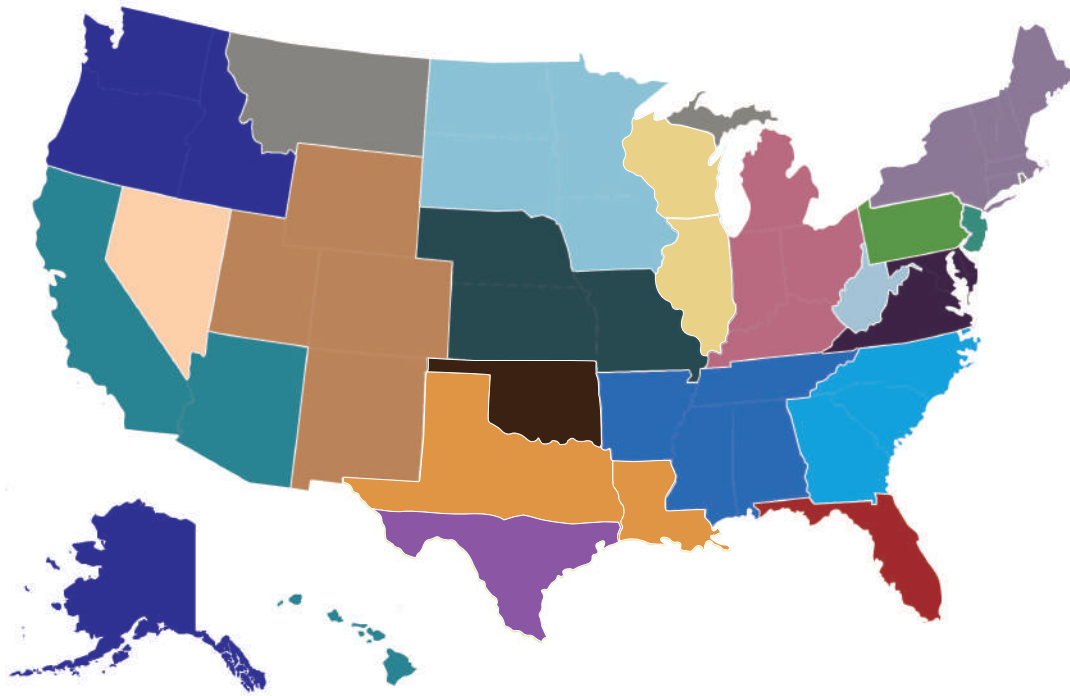
 **Add:** 1590 S Milliken Ave., unit A, Ontario, CA 91761

 **Tel:** 626-620-0456

 **E-mail:** sales@adsequip.com

 www.adsdental.com





Territory Managers



National Sales Director

Jeffrey N. NeRoy
Tel: 623-262-0246



Technical Support Director

Will Pettis
Tel: 626-366-3848
wpettis10@gmail.com



AR. AL. MS. TN. Panhandle of FL. LA w/exception of Shreveport

Mike Harwood
Tel: 205-492-2333
mikeharwood58@icloud.com



MO, KS, NE, IL (618-629)

Doug Schroeder
Tel: 314-422-0061
dsilttd@charter.net



MI, IN, KY, OH

Guy Gismondi
Tel.: 734-516-1597
guy@kagedist.com



Florida, exception for the Panhandle, Caribbean w/exception for Dominican Rep. Central America

Paulo Muller
Tel: 954-839-7837
psmuller7@hotmail.com



N. & S Carolina, Georgia, East Tennessee

Nathan Shaw
Tel: 678-778-1295
snate1975@aol.com



NYC, Long Island, NY Westchester County, NJ, E.PA.

Mark Hahn
Tel: 201-259-5368
northeastdentalsales@gmail.com



WA. OR. ID. AK

Paul Peterson
Tel: 503-601-9330
nwpetersonsales@gmail.com



N. CA, N. NV

Max Murphy
Tel: 510-326-8592
max@murphydentalsales.com



CO, WY, UT, N.M, TX (EL PASO)

Carol J. Smith
Tel: 720-838-4769
caroljsmith43@gmail.com



NE Ohio, West Virginia. W.PA.

Joe Boris
Tel: 330-881-9181
ddsimages@me.com



Southern TX.

Kyle Toland
Tel: 713-410-7111
ktoland@tolandsales.com



Northern TX, OK, Shreveport, LA

Rick Owens
Tel: 405-664-8242
rlochp@aol.com

S. CA. HI, SOUTH NV, AZ



Rick Wake Cell: 949-500-2619
Rick@Cirdecsalesinc.com
Sheila Wake Cell: 949-500-0096
sacw20011@gmail.com
Sheila@cirdecsalesinc.com

• Sheila Wake • Rick Wake

VA, DE, MD



Steve Cell: 410-459-1240
marshallgroup@verizon.net
Linda Cell: 410-459-1106
marshallgroup@verizon.net

• Linda Marshall • Steve Marshall

MN, ND, SD, IA, WI



Larry Cell: 612-670-9590
low3412@frontiernet.net
Ken Cell: 952-270-1436
lowandken@gmail.com

• Larry Wicks • Ken Metcalf

NH. VT. ME. MA. CT. Albany, NY



Snell Cell: 978-852-5229
pauls@pmrdental.com
Rouillard Cell: 978-852-5226
paulr@pmrdental.com

• Paul Snell • Paul Rouillard

Northern and Central IL, Southern WI



Tel: 630-335-9932
Swansoneric1@gmail.com

• Eric Swanson

Customer Service


Available Monday thru Friday, 7:30AM to 4:30PM, Pacific Standard Time

 Technical Support: 800-488-9708

West Coast: 626-633-7636 East Coast: 626-366-3848

 E-mail: sales@adsequip.com

 Add: 1590 S Milliken Ave., unit A, Ontario, CA 91761

 Tel: 626-620-0456

 www.adsdental.com

Table of Contents

Company Profile	1
Contact Information	2-3
Table of Contents	4
Cassette Autoclave	5
Mechanical Room	6~21
Air Compressors	6~15
Dry Vacuum System	16~20
Water Filter System	21
Chairs	22~35
Patient Chairs	22~26
Pediatric Chairs	27~28
Uphostery Colors	29~30
Surgical Chair	31
Stools	32~35
Operatory Packages	36~83
AJ12 Operatory Packages	36~45
AJ15 Operatory Packages	46~55
AJ16 Operatory Packages	56~69
AJ18 Operatory Packages	70~83
Hygiene Package	84~86
Pediatric Packages	87~92
AJ17 Pediatric Packages	87~89
AJ19 Pediatric Packages	90~92
Orthodontic Chairs & Carts	93~97
Orthodontic Chairs	93~95
Orthodontic Carts	96~97
Delivery System	98~116
OTP Delivery System	98~103
Swing Delivery System	104~107
Post Mount Doctor's System	108~109
Cabinet/Wall Side Mount Doctor's System	110~111
Rear Delivery System	112~114
Mobile Cart	115
Portable Delivery System	116
Dental Simulation System	117~118
Dental Lights	119~128
Accessories Option	129~133
Extraoral Suction System	134
Manufacturer's Warranty	135~136

Cassette Autoclave

Cassette Autoclave



Part number

A127001

Retail Price

\$7,495

Sterilization Program

Sterilization Mode	Non-Wrapped Instruments - Hollow	Non-Wrapped Instruments - Solid	Wrapped Instruments	Plastic / Rubber Instruments
Heating Time	2 min	2 min	2 min	2 min
Pulsed Cycles / Duration	3/3 * 18 S	1/18 S	6/18 S	1/18 S
Sterilization Temperature	134 °C	134 °C	134 °C	121 °C
Sterilization Duration	3.5/18 min	3.5 min	3.5/18 min	15/30 min
Pressure Reduction Time	1 min	1 min	1 min	1 min
Drying Duration (set up)	1 H	1 H	1 H	1 H
Applicable Range	Hollow Metal Instruments	Solid Metal Instruments	Plastic High-Pressure Sterilization Bags / Paper Bag Wrapped Solid or Hollow Metal Instruments	Solid Non-Wrapped Instruments Made of Plastic / Rubber Materials

Equipment Parameters

Size	25.59 * 16.34 * 7.48 inch	Rated Operating Conditions	AC 110-120 V, 1300 W
Weight	34 KG (Excluding Water)	Printer Connection	Bluetooth Connection
Sterilization Chamber Volume	14.96 * 7.09 * 2.95 inch	Overall Protection Rating	Class I
Instrument Load Capacity	(1.5M) 1000 * 1500 (Size1)	Overall Service Life	10 Years
Water Tank Capacity	4 L		

Mechanical Room

Air Compressor

AT1000 Oil Free Air Compressor (New Design)



Standard Features

The ADS line of compressors are specifically designed and engineered for individual and large clinic practices. All of our compressors have been designed to produce oil free, dry air while providing continuous air flow to dental operators.

Part number	Retail Price
A123052	\$11,812

Specifications

- Power supply: **220V/AC/50~60HZ**
- Power: **6Hp/4.5kW**
- Overall Dimension: **39.3*29.0*34.6 inch**
- Maximum User Number: **10**
- Air Tank Volume: **29Gal/110L**
- Maximum Pressure: **115psi/0.8Mpa**
- Noise: **80dB**
- Rated Current: **≤22.5A**

Options

Compressor Button Panel

Part number	Retail Price
A121984	\$400

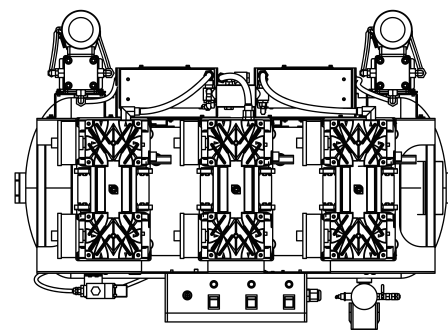
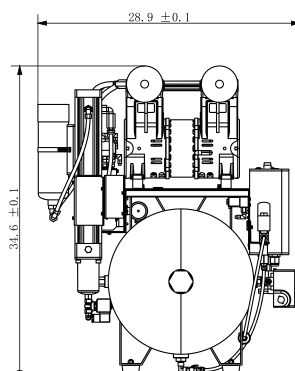
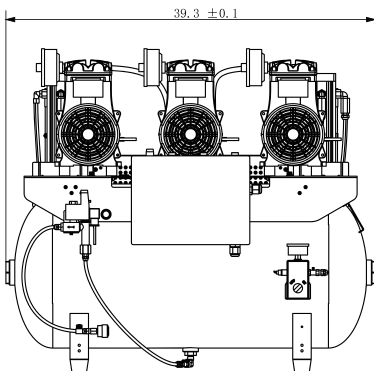


Buck/Boost Transformer MT-BBT-208V-230V-20.8A For AT260/300/600/1000

Part number	Retail Price
A121727	\$950



Dimensions (Unit: inch)



Air Compressor

AT800 Oil Free Air Compressor (New Design)



Standard Features

The ADS line of compressors are specifically designed and engineered for individual and large clinic practices. All of our compressors have been designed to produce oil free, dry air while providing continuous air flow to dental operatories.

Part number	Retail Price
A123051	\$8,426

Specifications

Power supply: **220V/AC/50~60HZ**
 Power: **4Hp/3kW**
 Overall Dimension: **39.3*29.0*34.6 inch**
 Maximum User Number: **8**
 Air Tank Volume: **29Gal/110L**
 Maximum Pressure: **115psi/0.8Mpa**
 Noise: **80dB**
 Rated Current: **≤15A**

Options

Compressor Button Panel

Part number	Retail Price
A121984	\$400

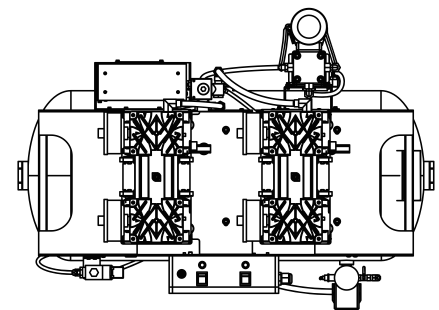
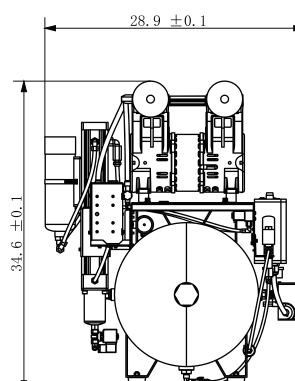
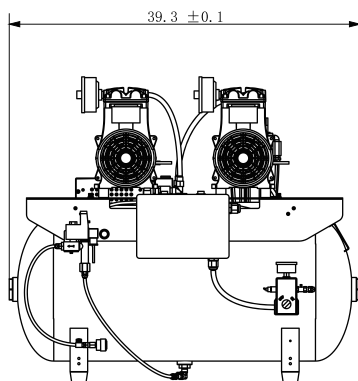


Buck/Boost Transformer MT-BBT-208V-230V-20.8A For AT260/300/600/1000

Part number	Retail Price
A121727	\$950



Dimensions (Unit: inch)



Air Compressor

AT600 Oil Free Air Compressor (New Design)



Standard Features

The ADS line of compressors are specifically designed and engineered for individual and large clinic practices. All of our compressors have been designed to produce oil free, dry air while providing continuous air flow to dental operatories.

Part number	Retail Price
A123055	\$7,000

Specifications

- Power supply: 220V/AC/50~60HZ
- Power: 3Hp/2.25kW
- Overall Dimension: 28.6*26.9*28.3 inch
- Maximum User Number: 6
- Air Tank Volume: 16Gal/60L
- Maximum Pressure: 115psi/0.8Mpa
- Noise: 78dB
- Rated Current: ≤13.5A

Options

Compressor Button Panel

Part number	Retail Price
A121984	\$400

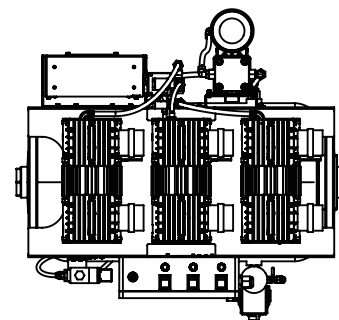
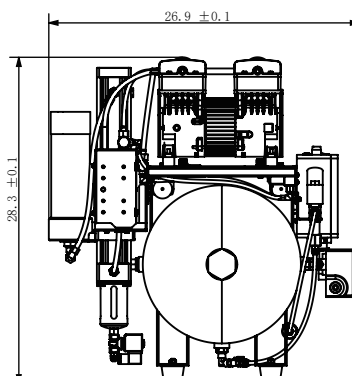
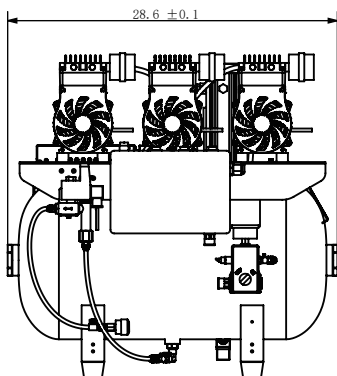


Buck/Boost Transformer
MT-BBT-208V-230V-20.8A
For AT260/300/600/1000

Part number	Retail Price
A121727	\$950



Dimensions (Unit: inch)



Air Compressor

AT400 Oil Free Air Compressor (New Design)



Standard Features

The ADS line of compressors are specifically designed and engineered for individual and large clinic practices. All of our compressors have been designed to produce oil free, dry air while providing continuous air flow to dental operatories.

Part number	Retail Price
A123050	\$5,669

Specifications

- Power supply: 220V/AC/50~60HZ
- Power: **2Hp/1.5kW**
- Overall Dimension: **28.6*26.9*28.3 inch**
- Maximum User Number: **4**
- Air Tank Volume: **16Gal/60L**
- Maximum Pressure: **115psi/0.8Mpa**
- Noise: **75dB**
- Rated Current: **≤9A**

Options

Compressor Button Panel

Part number	Retail Price
A121984	\$400

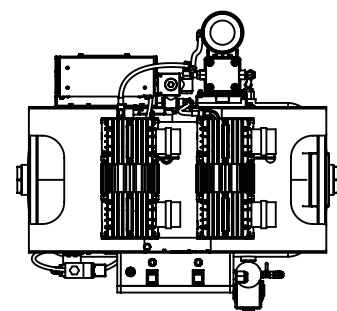
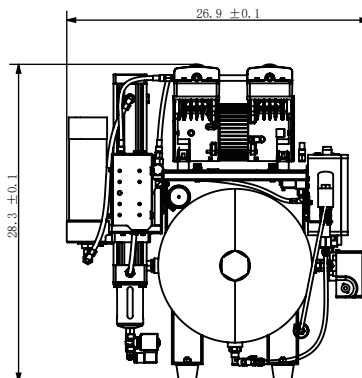
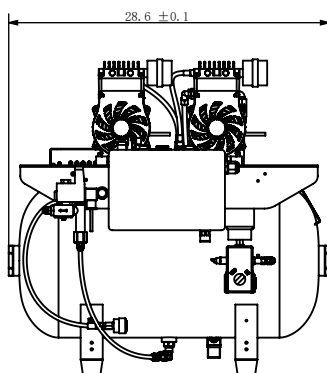


Buck/Boost Transformer MT-BBT-208V-230V-20.8A For AT260/300/600/1000

Part number	Retail Price
A121727	\$950



Dimensions (Unit: inch)



Air Compressor

AT300 Oil Free Air Compressor (110V) (New Design)



Standard Features

The ADS line of compressors are specifically designed and engineered for individual and large clinic practices. All of our compressors have been designed to produce oil free, dry air while providing continuous air flow to dental operatories.

Part number	Retail Price
A123049	\$4,600

Specifications

- Power supply: **110V/AC/50~60HZ**
- Power: **1.5Hp/1.1kW**
- Overall Dimension: **28.6*26.9*27.5 inch**
- Maximum User Number: **3**
- Air Tank Volume: **16Gal/60L**
- Maximum Pressure: **115psi/0.8Mpa**
- Noise: **75dB**
- Rated Current: **≤5.6A**

Options

Compressor Button Panel

Part number	Retail Price
A121984	\$400

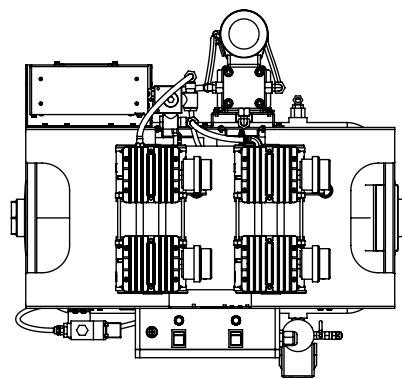
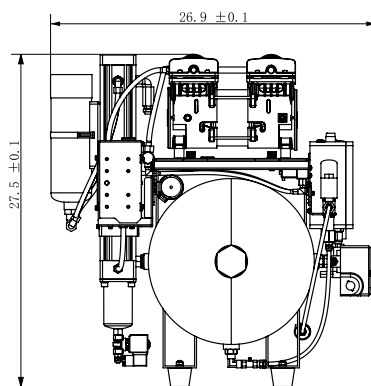
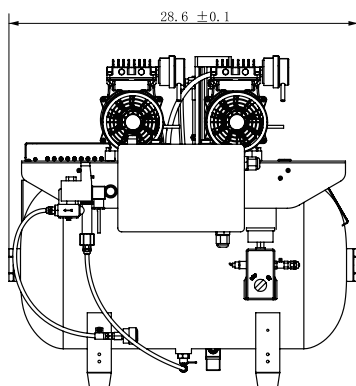


Buck/Boost Transformer MT-BBT-208V-230V-20.8A For AT260/300/600/1000

Part number	Retail Price
A121727	\$950



Dimensions (Unit: inch)



Air Compressor

AT1000 Oil Free Air Compressor



Standard Features

The ADS line of compressors are specifically designed and engineered for individual and large clinic practices. All of our compressors have been designed to produce oil free, dry air while providing continuous air flow to dental operators.

A 5 year motor warranty.
All other components carry a 2 year warranty.

Part number	Retail Price
A123003	\$11,812

Specifications

- Power Supply: **220V/AC/50~60Hz**
- Power: **6hp**
- Overall Dimension: **36 inch*25.7 inch*35.7 inch**
- Maximum User Number: **8**
- Air Tank Volume: **29Gal (110L)**
- Exhaust Volume: **11CFM@80psi**
- ON/OFF Pressure: **72.5/116 psi**
- Noise: **70dB**
- Maximum current : **22.5A**

Options

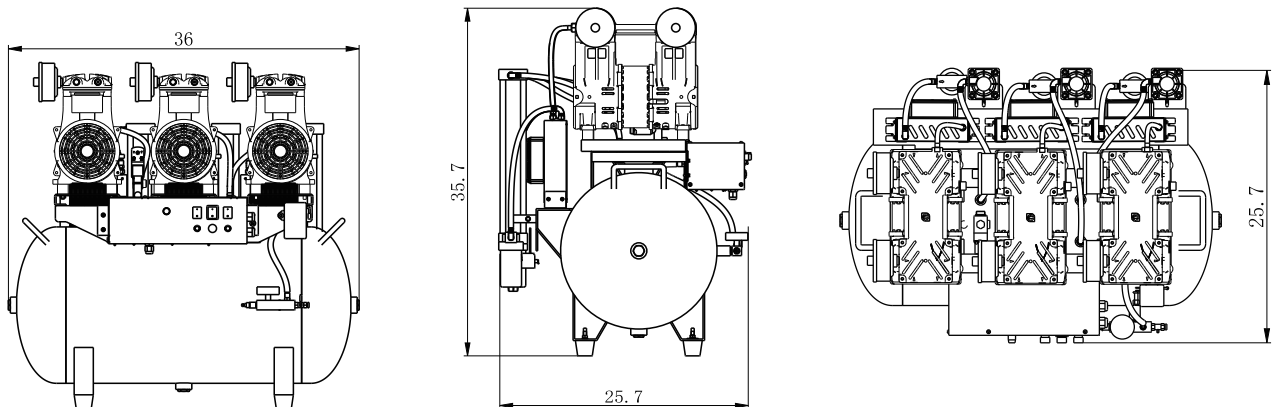
Compressor Button Panel

Part number	Retail Price
A121984	\$400



Dimensions

Unit: inch



Air Compressor

AT600 Oil Free Air Compressor



Standard Features

The ADS line of compressors are specifically designed and engineered for individual and large clinic practices. All of our compressors have been designed to produce oil free, dry air while providing continuous air flow to dental operatories.

A 5 year motor warranty.
All other components carry a 2 year warranty.

Part number	Retail Price
A123002	\$8,426

Specifications

- Power Supply: **220V/AC/50~60Hz**
- Power: **4hp**
- Overall Dimension: **36 inch*25.7 inch*35.7inch**
- Maximum User Number: **6**
- Air Tank Volume: **29Gal (110L)**
- Exhaust Volume: **8CFM@80psi**
- ON/OFF Pressure: **72.5/116 psi**
- Noise: **70dB**
- Maximum current : **15A**

Options

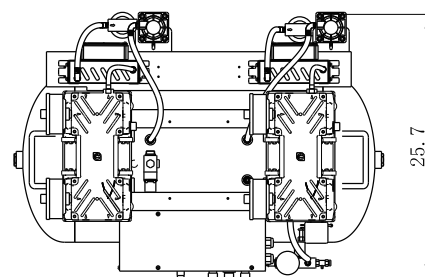
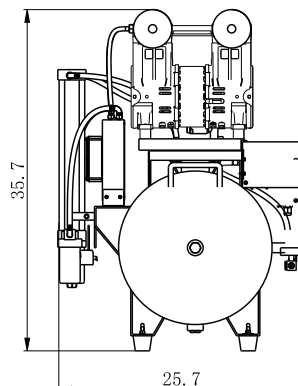
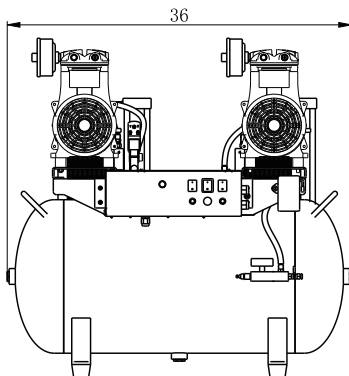
Compressor
Button Panel

Part number	Retail Price
A121984	\$400



Dimensions

Unit: inch



Air Compressor

AT300 Oil Free Air Compressor



Standard Features

The ADS line of compressors are specifically designed and engineered for individual and large clinic practices. All of our compressors have been designed to produce oil free, dry air while providing continuous air flow to dental operatories.

A 5 year motor warranty.
All other components carry a 2 year warranty.

Part number	Retail Price
A123001	\$5,669

Specifications

Power Supply: 220V/AC/50~60Hz
 Power: 2hp
 Overall Dimension: 20.3 inch*22.8 inch*35.1inch
 Maximum User Number: 3
 Air Tank Volume: 15Gal (56L)
 Exhaust Volume: 4.5CFM@80psi
 ON/OFF Pressure: 72.5/116 psi
 Noise: 65dB
 Maximum current: 7.5A

Options

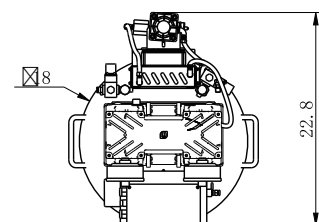
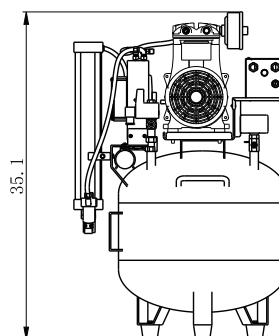
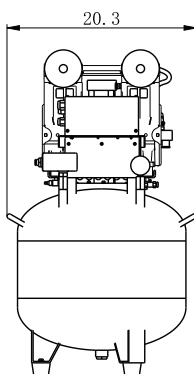
Compressor
Button Panel

Part number	Retail Price
A121984	\$400



Dimensions

Unit: inch



Air Compressor

AT260 Oil Free Air Compressor (110V)



Standard Features

The ADS line of compressors are specifically designed and engineered for individual and large clinic practices. All of our compressors have been designed to produce oil free, dry air while providing continuous air flow to dental operators.

A 5 year motor warranty.
All other components carry a 2 year warranty.

Part number	Retail Price
A123004	\$4,600

Specifications

Power Supply: **110V/AC/60Hz**
Power: **1hp**

Overall Dimension: **20.3 inch*22.8 inch*33.5 inch**
Maximum User Number: **2**

Air Tank Volume: **15Gal (56L)**
Exhaust Volume: **3CFM@80psi**

ON/OFF Pressure: **72.5/116 psi**
Noise: **63dB**

Maximum current : **7A**

Options

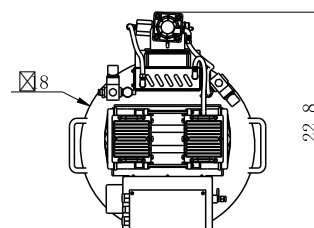
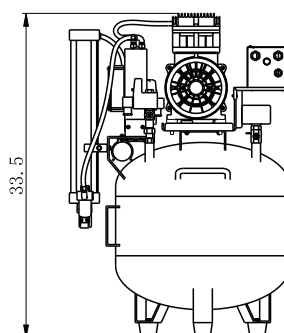
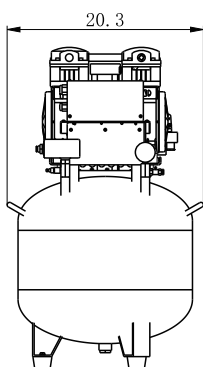
Compressor
Button Panel

Part number	Retail Price
A121984	\$400



Dimensions

Unit: inch



Dry Vacuum System

Standard Features

Dental Vacuum System designed with function and efficiency you can rely on to deliver stable and continuous suction and airflow for high quality of dentalcare. Slim design saves plenty of space for you. The Dry Vacuum System carries a 5 year warranty.



Model Name: ADS V3

Part number
A125002

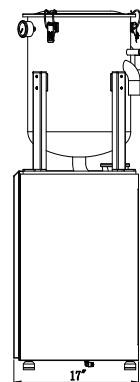
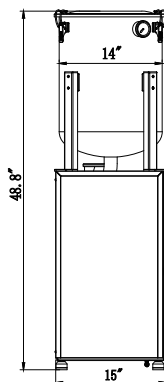
Retail Price
\$7,300

Specifications

Model	ADS V3
No.Users	3 — 5
No.Vacuums	1
Total Horsepower(HP)	2.5
Vacuum("Hg)	-7.5
Voltage	220V / 60 Hz
Total Amps	9
Circuit Breaker (Amps)	25
Maximum flow(CFM@6"Hg)	/
Maximum flow(CFM@7.5"Hg)	34
Noise(dba)	70
Tank (H x W x D)	20" X 14" X 14"
Tank(GAL)	9.5
Dimensions Overall	48.8" X 15" X 17"
Shipping Weight (lbs)	240

Dimensions

Unit: inch



Dry Vacuum System

Standard Features

Dental Vacuum System designed with function and efficiency you can rely on to deliver stable and continuous suction and airflow for high quality of dental care. Slim design saves plenty of space for you. The Dry Vacuum System carries a 5 year warranty.

Model Name: ADS V5



Part number
A125001

Retail Price
\$10,500

Model Name: ADS V10 (TWIN)



Part number
A125004

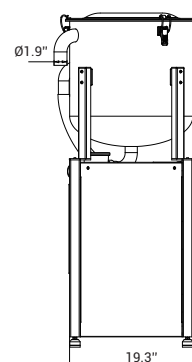
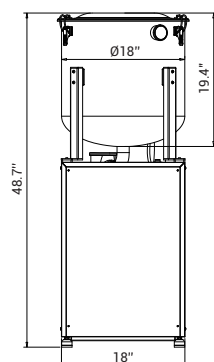
Retail Price
\$21,500

Specifications

Model	ADS V5	ADS V10
No. Users	5 – 7	10 – 14
No. Vacuums	1	2
Total Horsepower	2.95	2.95 X 2
Vacuum ("Hg)	-7.5	-7.5
Voltage	220V / 60 Hz	220V / 60 Hz
Total Amps	10	10 X 2
Circuit Breaker (Amps)	25	25 X 2
Maximum flow (CFM@7.5"Hg)	44	44 X 2
Noise (dba)	72	79
Tank (H x W x D)	17.9" X 17.9" X 19.5"	17.9" X 17.9" X 19.5"
Tank (GAL)	18.1	18.1 X 2
Dimensions Overall	48.7" X 18" X 19.3"	(48.7" X 18" X 19.3") X 2
Shipping Weight (lbs)	262	273 X 2

Dimensions

Unit: inch



Dry Vacuum System

Standard Features

Dental Vacuum System designed with function and efficiency you can rely on to deliver stable and continuous suction and airflow for high quality of dental care. Slim design saves plenty of space for you.

The Dry Vacuum System carries a 5 year warranty.

Model Name: ADS V7



Part number
A125003

Retail Price
\$15,000

Model Name: ADS V14 (TWIN)



Part number
A125005

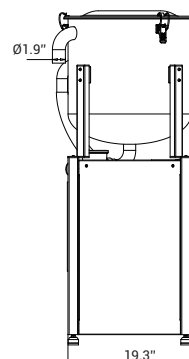
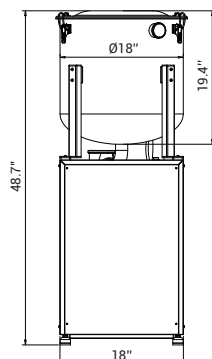
Retail Price
\$30,500

Specifications

Model	ADS V7	ADS V14
No. Users	7 – 10	14 – 20
No. Vacuums	1	2
Total Horsepower	3.2	3.2 X 2
Vacuum ("Hg)	-7.5	-7.5
Voltage	220V / 60 Hz	220V / 60 Hz
Total Amps	11	11 X 2
Circuit Breaker (Amps)	25	25 X 2
Maximum flow (CFM@7.5"Hg)	56	56 X 2
Noise (dba)	75	79
Tank (H x W x D)	17.9" X 17.9" X 19.5"	17.9" X 17.9" X 19.5"
Tank (GAL)	18.1	18.1 X 2
Dimensions Overall (inch)	48.7" X 18" X 19.3"	(48.7" X 18" X 19.3") X 2
Shipping Weight (lbs)	286	297 X 2

Dimensions

Unit: inch



Dry Vacuum System

Standard Features

Dental Vacuum System designed with function and efficiency you can rely on to deliver stable and continuous suction and airflow for high quality of dental care. Slim design saves plenty of space for you. The Dry Vacuum System carries a 5 year warranty.



SV600

Part number
A123048

Retail Price
\$9,995

Standard Features

Dental Vacuum System designed with function and efficiency you can rely on to deliver stable and continuous suction and airflow for high quality of dental care. Slim design saves plenty of space for you. The Dry Vacuum System carries a 5 year warranty.



SV800

Part number
A123056

Retail Price
\$13,995

Dry Vacuum System

Standard Features

Dental Vacuum System designed with function and efficiency you can rely on to deliver stable and continuous suction and airflow for high quality of dental care. Slim design saves plenty of space for you. The Dry Vacuum System carries a 5 year warranty.



SV1000

Part number
A123057

Retail Price
\$16,995

Specifications

Model	SV600	SV800	SV1000
No. of Treatment Rated	5-6	7-8	9-10
Power(kW)	2	2.2	2.5
Voltage(V)	220		
Frequency	(50/60Hz)		
Max. Vacuum(kPa)	-16	-18	-20
Max. Airflow(L/min)	1800	2400	3000
Noise Level(dB)	≤72		
Net Weight (kg)	72		
Product Dimensions(inch)	23.54×18.19×21.5		
Package Dimensions(inch)	26.77×21.42×27.84		

Water Filter System

Standard Features

With Solenoid and Low Voltage Contactor.
 Replaceable water filters.
 Available in 1" and 3/4" sizes

1" Water filter

Part number	Retail Price
A126001	\$1,076

3/4" Water filter

Part number	Retail Price
A126002	\$812



Filter Housing 1" FPT

Part number	Retail Price
A124301	\$112



Filter Housing 3/4" FPT

Part number	Retail Price
A124302	\$58



Water Filter 10" (pkg of 2)

Part number	Retail Price
8900529	\$68

Specifications

Model	1" Water filter	3/4" Water filter
Maximum flow	48.2L/min	24.5L/min
Dimension	30.3"x8.5"x26.3"	32.3"x8.5"x26.3"
Filter bottle specifications	10"	10"
Filter bottle interface	1" NPT	3/4" NPT
Inlet connector	1" NPT	3/4" NPT
Outlet connector	1" NPT	3/4" NPT
Power supply	AC120V,1A,60HZ	AC120V,1A,60HZ
Solenoid Valve	1" NPT	3/4" NPT
Transformer	110V-120V	110V-120V
Contactor	110V, 1A	110V, 1A

Chairs

AJ12 Chair



Patient chair

Part number

A091201

Retail Price

\$4,958

Standard Features

AJ12 Electromechanical chair with 3 programmable positions,
Articulating headrest,
Vertical forward-turning armrest,
Steel backrest stand,
Steel base plate,
Chair safety switch,
Wide backrest, Upgraded fiber leather,
One touchpad attached on armrest, Foot control

Specifications

Weight	320lbs;
Max patient load	400lbs;
Electrical requirements	AC110V \pm 22V; 50HZ , 60HZ;
Environmental requirements	Ambient temperature 41 °F~104 °F; Humidity \leq 80%; Atmospherical pressure 8.7psi~15.4psi;
Motor run time	Intermittent operation 30s On / 5min Off;

AJ15 Chair



Patient chair

Part number
A091502

Retail Price
\$7,726

Standard Features

AJ15 hydraulic chair with 3 programmable positions,
 Double articulating headrest,
 Swing up/down armrest,
 Cast iron chair frame,
 Steel backrest stand,
 Steel base plate,
 60 degrees seat rotation, chair safety switch,
 Narrow backrest, upgraded fiber leather,
 One touchpad attached on armrest, Foot control

Specifications

	364lbs;
Max patient load	550lbs;
Electrical requirements	AC110V±22V; 50HZ , 60HZ;
Environmental requirements	Ambient temperature 41 °F~104 °F; Humidity ≤80%; Atmospherical pressure 8.7psi~15.4psi;
Hydraulic pump run time	Intermittent operation 2min On / 18min Off;

AJ16 Chair



Patient chair

Part number

A091602

Retail Price

\$8,749

Standard Features

AJ16 Luxury hydraulic chair with 3 programmable positions,
 Double articulating headrest,
 Swing up/down armrest,
 Cast iron chair frame,
 Cast aluminum backrest stand,
 Cast aluminum base,
 60 degrees seat rotation, chair safety switch,
 Wide backrest, Upgraded fiber leather,
 One touchpad attached on armrest, Foot control

Specifications

Weight	366lbs;
Max patient load	550lbs;
Electrical requirements	AC110V±22V; 50HZ , 60HZ;
Environmental requirements	Ambient temperature 41 °F~104 °F; Humidity ≤80%; Atomospherical pressure 8.7psi~15.4psi;
Hydraulic pump run time	Intermittent operation 2min On / 18min Off;

AJ18 Chair with Comfort kit

(Trendelenburg Ergonomic chair, Heating, Massage)



Part number
A091803

Retail Price
\$11,514

Upholstery Color Selections



N1 Baikal



N2 Venice



N7 Birch Grey



N8 Misty Grey



N9 Carnelian



N10 Bordeaux



N11 Obsidian

Standard Features

Trendelenburg ergonomic chair,
AJ18 hydraulic chair with 3 programmable positions,
Double articulating headrest,
Swing up/down iron armrest,
Cast iron chair frame,
Iron backrest stand,

Cast aluminum base,
Wide backrest, upgraded fiber leather,
60 degrees seat rotation, chair safety switch,
One touchpad, Foot control

Specifications

Weight	340lbs
Max patient load	550lbs
Electrical requirements	AC110V±22V; 50HZ,60HZ;
Environmental requirements	Ambient temperature 41°F~104°F; Humidity≤80%; Atmospherical pressure 8.7psi~15.4psi
Hydraulic pump run time	Intermittent operation 2minOn / 18min Off

AJ17 Pediatric Chair

(Telescoping backrest)



Pediatric chair

Part number

A091701

Retail Price

\$5,542

Standard Features

A17 Electromechanical Pediatric chair,
Telescoping backrest,
Little size for 3-10 year old kids,
3 programmable positions,
0 position and LP last position,
Double articulating headrest,
Swing out armrest,

Steel backrest stand,
Steel base plate,
Chair safety switch,
Upgraded fiber leather,
One touchpad attached on armrest,
Foot control

Specifications

Weight	265lbs;
Max patient load	400lbs;
Electrical requirements	AC110V±22V; 50HZ , 60HZ;
Environmental requirements	Ambient temperature 41 °F~104 °F; Humidity ≤80%; Atmospherical pressure 8.7psi~15.4psi;
Motor run time	Intermittent operation 30s On / 5min Off;

AJ19 Pediatric Bench

(With chair up and down function)



Pediatric chair

Part number

A091901

Retail Price

\$5,834

Standard Features

AJ19 Electromechanical pediatric bench with up/down function,
 Articulating headrest,
 Chair safety switch,
 Foot control articulating headrest
 Sturdy cast iron structure & aluminum base,
 Foot control

Specifications

Weight	331lbs;
Max patient load	400lbs;
Electrical requirements	AC110V±22V; 50HZ , 60HZ;
Environmental requirements	Ambient temperature 41 °F~104 °F; Humidity ≤80%; Atmospherical pressure 8.7psi~15.4psi;
Motor run time	Intermittent operation 30s On / 5min Off;

Upholstery Colors



Brown

U1



Champagne

U2



Blue

U3



Grey

U5



Cobalt Blue

U6



Misty Grey

U7



Orange

U8



Wine Red

U10



Grass green

U11



Black

U14



Jade

U19

Upholstery Colors (Only For AJ18)

Nappa Leather



Baikal

N1



Venice

N2



Birch Grey

N7



Misty Grey

N8



Carmelian

N9



Bordeaux

N10



Obsidian

N11

Upholsteries

		Retail Price \$64/ft
Name	Part number	
Color U1 ●	8601009 Upholstery	Wide 4.5ft
Color U2 ●	8601013 Upholstery	Wide 4.5ft
Color U3 ●	8601014 Upholstery	Wide 4.5ft
Color U5 ●	8601016 Upholstery	Wide 4.5ft
Color U6 ●	8601017 Upholstery	Wide 4.5ft
Color U7 ●	8601018 Upholstery	Wide 4.5ft
Color U8 ●	8601019 Upholstery	Wide 4.5ft
Color U10 ●	8601020 Upholstery	Wide 4.5ft
Color U11 ●	8601021 Upholstery	Wide 4.5ft
Color U14 ●	8601044 Upholstery	Wide 4.5ft
Color U19 ●	8601068 Upholstery	Wide 4.5ft

AA6688 Surgical Chair



PATIENT CHAIR

Part number: **A0901032**

Retail Price: **\$9,450**

Options



IV Arm Board

Part number

A121421

Retail Price

\$1,159

Upholstery Color Options



U14 Black

Standard Features

Uncompromising quality and support
 Perfect surgical comfort
 Suitable for vulnerable groups
 Multiple colors available

Premium quality at an affordable price
 Maximum leg room
 Hand Control
 Foot Control

Specifications

Weight	276lbs
Max patient load	450lbs
Electrical requirements	AC110V—240V; 50HZ, 60HZ
Environmental requirements	Ambient temperature $\pm 50^{\circ}\text{F} \sim \pm 104^{\circ}\text{F}$
Humidity	30% ~ 75%
Atomospherical pressure	10.2psi~15.4psi (70kPa~106kPa)
Highest position	39 1/4"
Lowest position	23 1/4"

D3 Doctor Stool



Doctor stool
(Standard Upholstery)

Part number
A080103

Retail Price
\$657



Doctor stool
(Nappa leather)

Part number
A080103NP

Retail Price
\$777



D3 Backrest upholstery

Part number	Retail Price
A080102	\$145



D3 Cushion upholstery

Part number	Retail Price
A080101	\$185

Standard Features

Chrome plated pneumatic cylinder
Height adjustment,
Backrest forward backward adjustment,
Seat surface adjustment,

Contoured seat & back, Fiber leather upholstery
Cast aluminium star, Quiet twin wheel casters,
Max patient load: 440lbs

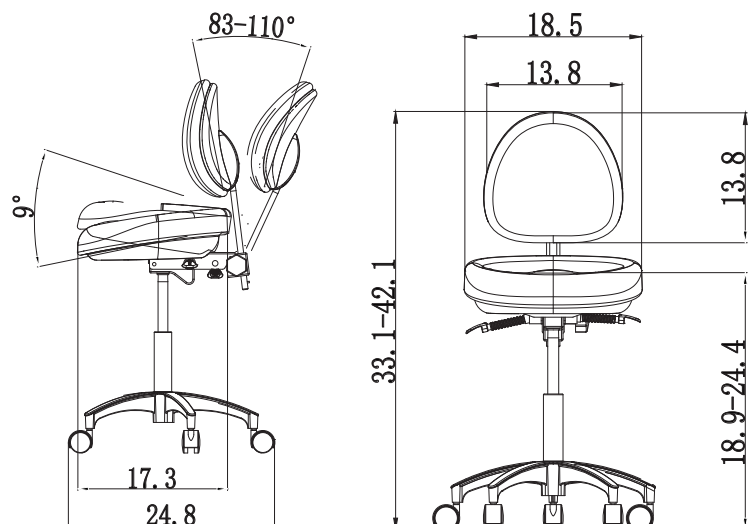
Options

Upgrade Nappa Leather

Part number	Retail Price
A121726	\$120Add

Unit: inch

Packing Dimensions (L*W*H)	Weight
D3 Doctor stool 22.9*21.5*13.8"	32.5 lbs.



N4 Assistant Stool



Assistant stool
(Standard Upholstery)

Part number
A080224

Retail Price
\$806



Assistant stool
(Nappa leather)

Part number
A080224NP

Retail Price
\$926



N4 Armrest upholstery

Part number Retail Price
A080202 \$206



N4 Cushion upholstery

Part number Retail Price
A080203 \$200

Standard Features

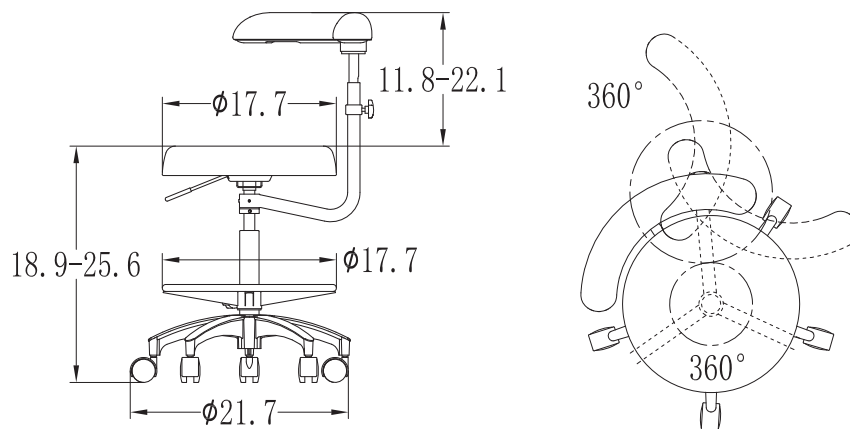
Round seat, Fiber leather upholstery,
Chrome plated pneumatic cylinder
Adjustable chrome foot ring

Cast aluminium base
Ratcheting body support,
Max patient load: 440lbs

Options

Upgrade Nappa Leather

Part number Retail Price
A121726 \$120Add



Unit: inch

Packing Dimensions (L*W*H)

N4 Assistant stool 42.5*22.6*10.2"

Weight

43.6 lbs.

D4 Saddle Doctor Stool



D4 Saddle Doctor Stool

(Standard Upholstery)

Part number

A080104

Retail Price

\$685



D4 Saddle Doctor Stool

(Nappa leather)

Part number

A080104NP

Retail Price

\$805

Standard Features

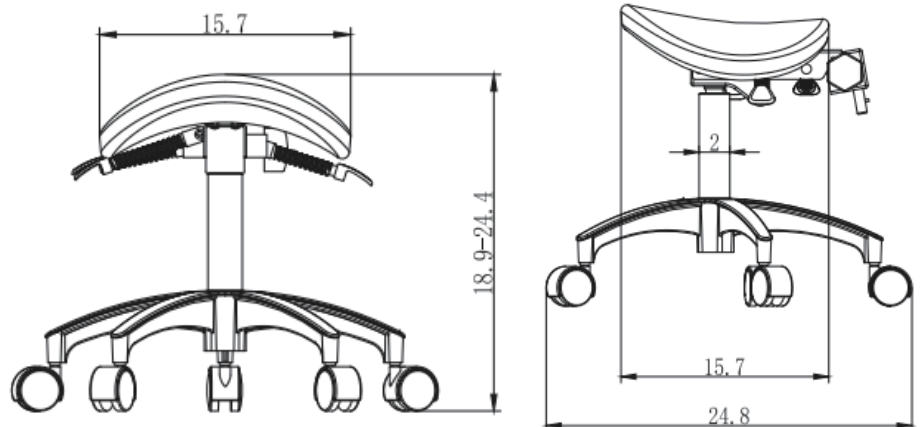
Chrome plated pneumatic cylinder
Height adjustment,
Seat surface adjustment,
Saddle shape seat, Fiber leather upholstery

Cast aluminum star, Quiet twin wheel casters
Increases circulation to the legs
Max patient load:440lbs

Options

Upgrade Nappa Leather

Part number	Retail Price
A121726	\$120Add



Unit: inch

Packing Dimensions (L*W*H)

D4 Saddle Doctor Stool 23*21.5*13.3"

Weight

22 lbs.

D5 Saddle Doctor Stool



D5 Saddle Doctor Stool

(Standard Upholstery)

Part number
A080105

Retail Price
\$762



D5 Saddle Doctor Stool

(Nappa leather)

Part number
A080105NP

Retail Price
\$882

Standard Features

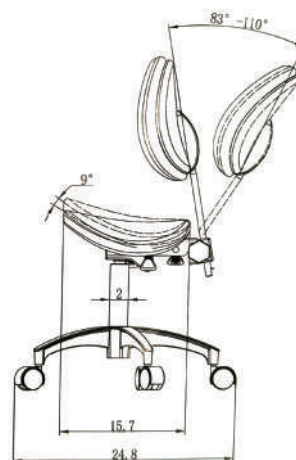
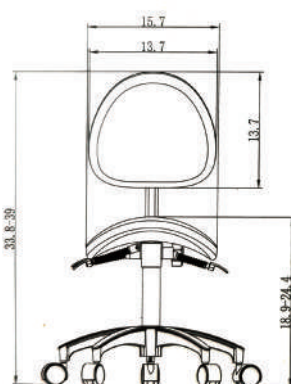
Contoured seat & back, Fiber leather upholstery
Height adjustment
Backrest foward backward adjustment
Seat surface adjustment

Saddle shape seat, Fiber leather upholstery
Cast aluminum star, Quiet twin wheel casters
Increases circulation to the legs
Max patient load:440lbs

Options

Upgrade Nappa Leather

Part number Retail Price
A121726 **\$120Add**



Unit: inch

Packing Dimensions (L*W*H)

D5 Saddle Doctor Stool 23*21.5*13.3" 26.5 lbs.

Weight

AJ12

Operator
Package

AJ12 Chair



Patient chair

Part number

A091201

Retail Price

\$4,958

Standard Features

AJ12 Electromechanical chair with 3 programmable positions,
Articulating headrest,
Vertical forward-turning armrest,
Steel backrest stand,
Steel base plate,
Chair safety switch,
Wide backrest, Upgraded fiber leather,
One touchpad attached on armrest, Foot control

Specifications

Weight	320lbs;
Max patient load	400lbs;
Electrical requirements	AC110V±22V; 50HZ , 60HZ;
Environmental requirements	Ambient temperature 41 °F~104 °F; Humidity ≤80%; Atmospherical pressure 8.7psi~15.4psi;
Motor run time	Intermittent operation 30s On / 5min Off;

Operatory Packages

AJ12 Classic 100



Options



Continental dentist's control
Part number:A0502532



Amber II LED light
Part number:A121715



Touch pad for Classic delivery tray
Part number:A121712



HP Fiber optic system with 1 tubing (6 pin)
Part number:A121532

Standard Features

- AJ12 Electromechanical chair with 3 programmable positions,
- Articulating headrest, Vertical forward-turning armrest,
- Steel backrest stand, Steel base plate, Chair safety switch,
- Wide backrest, Upgraded fiber leather,
- One touchpad, Foot control
- Classic dentist's control head with 3 auto H.P. control,
- Individual water coolant controls,
- Master handpiece air coolant adjustment,
- Asepsis handpiece tubing,
- Master on/off switch, 1 doctor syringe, Wet/Dry foot control,
- Stainless steel tray with non-slip pad, Flex arm air brake switch
- Classic 100 Post mounted utility (PMU) with steel side box,
- City water/bottled system, Water outlet and air QD,
- Solids collector,
- 2 HVE, 1SE, 1 syringe on telescoping assistant's control,
- Junction box with air/water filters, regulators, master shut-off valves,
- 5 ft. umbilical
- Post mount LED light with sensor control, 3 level intensity adjustment

Operatory System

Part number	Description	Retail Price
A9121001	AJ12 Classic100 OTP Operatory Package without cuspidor	\$10,628

Package includes

A091201	AJ12 EL Chair Electricmechanical patient chair with 3 programmable postions and fiber leather	\$4,958
A0711001	Classic 100 delivery system Classic Over the patient (OTP) dental unit with PMU	\$4,336
A0502520	<ul style="list-style-type: none"> • Classic Post mount Dentist's Control Classic dentist's control head with 3 auto H.P.control, 1 doctor syringe, Wet/Dry foot control, Stainless steel tray with non-slip pad, Rigid arm and Flex arm 	\$3,002
A0710010	<ul style="list-style-type: none"> • Classic 100 Post Mounted Utility (PMU) Classic 100 Post mounted utility (PMU) with steel side box,City water/bottled system, Water outlet and air QD,Telescoping assistant's arm with 2 HVE,1SE, 1 syringe, Junction box with valves 	\$1,334
A0602600	Post mount Whale LED light Post mount touchless sensor Whale LED light with 30" light post	\$1,334
A11202	Chair adapter B Chair adapter for ADS chairs	No charge in ADS package

Options

A121532	HP Fiber optic system with 1 tubing (6 pin)	\$468
A121533	HP Fiber optic system with 2 tubings (6 pin)	\$670
A121712	Touch pad for Classic delivery tray	\$602
A120501	ADS post mount Monitor bracket	\$799
A120403	Built in scaler with LED	\$732
A120301	Built-in curing light	\$602
A121915	Additional umbilical per foot for Classic 100	\$50/ft
A121715	Amber II LED light	\$399 Add
A0502532	Continental dentist's control	\$1166 Add
A080103	D3 Doctor stool	\$657
A080224	N4 Assistant stool	\$806
8018895	Additional 4th handpiece tubing	\$262
A121963	Bien Air MCX Built In System without touchpad	...	\$3,890
A121973	Bien Air MCX Built In System with touchpad	\$5,558

Packing Dimensions (L*W*H)

Chair	47.6*30.5*31.3"
Upholstery	50.4*25*8.9"
Classic Dentist's Control	30.4*19.1*12"
PMU	43.9*21.1*13.7"
Dental Light	31.1*18.1*7.1"

AJ12 Classic 101



Options



Continental dentist's control
Part number:A0502532



Amber II LED light
Part number:A121715



Touch pad for Classic delivery tray
Part number:A121712



HP Fiber optic system with 1 tubing (6 pin)
Part number:A121532

Standard Features

AJ12 Electromechanical chair with 3 programmable positions, Articulating headrest, Vertical forward-turning armrest, Steel backrest stand, Steel base plate, Chair safety switch, Wide backrest, Upgraded fiber leather, One touchpad, Foot control

Classic dentist's control head with 3 auto H.P. control, Individual water coolant controls, Master handpiece air coolant adjustment, Asepsis handpiece tubing, Master on/off switch, 1 doctor syringe, Remote toggles for cup fill and bowl rinse, Wet/Dry foot control, Stainless steel tray with non-slip pad, Flex arm air brake switch, Porcelain cuspidor bowl with strainer, Cup fill & Bowl rinse toggles.

- Classic 101 Post mounted utility (PMU) with steel side box,
- City water/bottled system, Water outlet and air QD,
- Solids collector,
- 2 HVE, 1SE, 1 syringe on telescoping assistant's control,
- Junction box with air/water filters, regulators, master shut-off valves,
- 5 ft. umbilical
- Post mount LED light with sensor control, 3 level intensity adjustment

Operatory System

Part number	Description	Retail Price
A9121011	AJ12 Classic101 OTP Operatory package with cuspidor	\$11,461

Package includes

A091201	AJ12 EL Chair Electricmechanical patient chair with 3 programmable postions and fiber leather	\$4,958
A0711011	Classic 101 delivery system Classic Over the patient (OTP) dental unit with PMU and cuspidor	\$5,169
A0502520	<ul style="list-style-type: none"> • Classic Post mount Dentist's Control Classic dentist's control head with 3 auto H.P.control, 1 doctor syringe, Wet/Dry foot control, Stainless steel tray with non-slip pad, Rigid arm and Flex arm 	\$3,002
A0710111	<ul style="list-style-type: none"> • Classic101 Post Mounted Utility (PMU) with cuspidor Classic 101 Post mounted utlity (PMU) with cuspidor and steel side box, City water/ bottled system, Water outlet and air QD, Telescoping assistant's arm with 2 HVE,1SE,1 syringe, Junction box with valves. 	\$2,167
A0602600	Post mount Whale LED light Post mount touchless sensor Whale LED light with 30" light post	\$1,334
A11202	Chair adapter B Chair adapter for ADS chairs	No charge in ADS package

Options

A121532	HP Fiber optic system with 1 tubing (6 pin)	\$468
A121533	HP Fiber optic system with 2 tubings (6 pin)	\$670
A121712	Touch pad for Classic delivery tray	\$602
A120501	ADS post mount Monitor bracket	\$799
A120403	Built in scaler with LED	\$732
A120301	Built-in curing light	\$602
A121916	Additional umbilical per foot for Classic 101	\$50/ft
A121715	Amber II LED light	\$399 Add
A0502532	Continental dentist's control	\$1166 Add
A080103	D3 Doctor stool	\$657
A080224	N4 Assistant stool	\$806
8018895	Additional 4th handpiece tubing	\$262
A121963	Bien Air MCX Built In System without touchpad	\$3,890
A121973	Bien Air MCX Built In System with touchpad	\$5,558

Packing Dimensions (L*W*H)

Chair	47.6*30.5*31.3"
Upholstery	50.4*25*8.9"
Classic Dentist's Control	30.4*19.1*12"
PMU	43.9*21.1*13.7"
Dental Light	31.1*18.1*7.1"

AJ12 Classic 200



Options



Continental dentist's control
Part number:A0502532



Amber II LED light
Part number:A121715



Touch pad for Classic delivery tray
Part number:A121712



HP Fiber optic system with 1 tubing (6 pin)
Part number:A121532

Standard Features

- AJ12 Electromechanical chair with 3 programmable positions,
- Articulating headrest, Vertical forward-turning armrest,
- Wide backrest, upgraded fiber leather,
- Steel backrest stand, Steel base plate, Chair safety switch,
- One touchpad, Foot control
- Swing Classic dentist's control head with 3 auto H.P. control,
- Individual water coolant controls,
- Master handpiece air coolant adjustment,
- Asepsis handpiece tubing,
- Master on/off switch, 1 doctor syringe,
- Wet/Dry foot control, Stainless steel tray with non-slip pad,
- City/bottled water system, 5 ft umbilical,
- Junction box with air/water filters, regulators, master shut-off valves,
- Chair mounted swing rear assistant vacuum package,
- Water outlet and air QD on assistant tray,
- Solids collector,
- 2 HVE, 1SE, 1 syringe
- Swing mount LED light with sensor control, 3 level intensity adjustment

Operatory System

Part number	Description	Retail Price
A9122001	AJ12 Classic200 Left/Right Swing Operatory Package	\$11,961

Package includes

A091201	AJ12 EL Chair AJ12 Electricmechanical patient chair with 3 programmable postions and fiber leather	\$4,958
A0712003	Classic200 delivery system Classic 200 Left/ Right Swing Delivery System with 3 auto HP control, bottled water system, Swing assistant vac pac with 2HVE, 1SE and 1 syringe.	\$5,335
A0502521	<ul style="list-style-type: none"> • Classic Swing mount dentist's control Swing mount 3HP auto dentist's control, bottled water system, utility center and valves 	\$3,833
A0332303	<ul style="list-style-type: none"> • Classic Swing mount assistant vacuum package Chair mounted swing rear assistant vacuum package,Water outlet and air QD on assitant tray, 2 HVE,1SE,1 syringe 	\$1,502
A0603600	Swing mount Whale LED light Swing mount touchless sensor Whale LED Dental Light with 24" light post and swing compass arm	\$1,668
A11204	Chair Adapter D	No charge in ADS package

Options

A121532	HP Fiber optic system with 1 tubing (6 pin)	\$468
A121533	HP Fiber optic system with 2 tubings (6 pin)	\$670
A121712	Touch pad for Classic delivery tray	\$602
A120501	ADS post mount Monitor bracket	\$799
A120403	Built in scaler with LED	\$732
A120301	Built-in curing light	\$602
A121902	Additional umbilical per foot for Classic 200	\$50/ft
A121715	Amber II LED light	\$399 Add
A0502532	Continental dentist's control	\$1166 Add
A080103	D3 Doctor stool	\$657
A080224	N4 Assistant stool	\$806
8018895	Additional 4th handpiece tubing	\$262
A121963	Bien Air MCX Built In System without touchpad	\$3,890
A121973	Bien Air MCX Built In System with touchpad	\$5,558

Packing Dimensions (L*W*H)

Chair	47.6 * 30.5 * 31.3"
Upholstery	50.4*25 * 8.9"
Classic Dentist's control	30.4*19.1*12"
Swing mount assistant vacuum package	33.9*30.8 * 8"
Classic Junction Box	16 * 15.7 * 6.8"
Dental Light	31.1*18.1*7.1"

AJ12 Classic 201



Options



Continental dentist's control
Part number:A0502532



Amber II LED light
Part number:A121715



Touch pad for Classic delivery tray
Part number:A121712



HP Fiber optic system with 1 tubing (6 pin)
Part number:A121532

Standard Features

- AJ12 Electromechanical chair with 3 programmable positions,
- Articulating headrest, Vertical forward-turning armrest,
- Steel backrest stand, Steel base plate, Chair safety switch,
- Wide backrest, Upgraded fiber leather,
- One touchpad, Foot control
- Swing Classic dentist's control head with 3 auto H.P. control,
- Individual water coolant controls,
- Master handpiece air coolant adjustment,
- Asepsis handpiece tubing,
- Master on/off switch, 1 doctor syringe,
- Wet/Dry foot control, Stainless steel tray with non-slip pad,
- City/bottled water system, 5 ft umbilical,
- Junction box with air/water filters, regulators, master shut-off valves,
- Swing mount Cuspidor and assistant vacuum package ,
- City water/bottled system, Water outlet and air QD,
- Solids collector,
- 2 HVE, 1SE, 1 syringe on telescoping assistant's control,
- Junction box with air/water filters, regulators, master shut-off valves,
- 5 ft. umbilical
- Swing mount LED light with sensor control, 3 level intensity adjustment

Operatory System

Part number	Description	Retail Price
A9122011	AJ12 Classic201 Left/Right Swing Operatory Package with cuspidor	\$13,296

Package includes

A091201	AJ12 EL Chair AJ12 Electricmechanical patient chair with 3 programmable postions and fiber leather	\$4,958
A0712011	Classic201 delivery system Classic 201 Left/Right Swing compact Delivery System with 3 auto HP control, bottled water system, Swing mount side box, cuspidor and assistant vac pac with 2HVE,1SE and 1 syringe.	\$6,670
A0502521	<ul style="list-style-type: none"> • Classic Swing mount dentist's control Swing mount 3HP auto dentist's control, bottled water system, utility center and valves 	\$3,833
A0402400	<ul style="list-style-type: none"> • Classic201/Beyond401 Swing mount cuspidor and assistant vacuum package Chair mounted swing rear cuspidor and assistant vacuum package, 2 HVE,1 SE,1 syringe 	\$2,837
A0603600	Swing mount Whale LED light Swing mount touchless sensor Whale LED Dental Light with 24" light post and swing compass arm	\$1,668
A11206	Chair Adapter E	No charge in ADS package

Options

A121532	HP Fiber optic system with 1 tubing (6 pin)	\$468
A121533	HP Fiber optic system with 2 tubings (6 pin)	\$670
A121712	Touch pad for Classic delivery tray	\$602
A120501	ADS post mount Monitor bracket	\$799
A120403	Built in scaler with LED	\$732
A120301	Built-in curing light	\$602
A121918	Additional umbilical per foot for Classic 201	\$50/ft
A121715	Amber II LED light	\$399 Add
A0502532	Continental dentist's control	\$1166 Add
A080103	D3 Doctor stool	\$657
A080224	N4 Assistant stool	\$806
8018895	Additional 4th handpiece tubing	\$262
A121963	Bien Air MCX Built In System without touchpad	\$3,890
A121973	Bien Air MCX Built In System with touchpad	\$5,558

Packing Dimensions (L*W*H)

Chair	47.6 * 30.5 * 31.3"
Upholstery	50.4*25 * 8.9"
Classic Dentist's Control	30.4*19.1*12"
Swing mount assistant vacuum package	33.9*30.8 * 8"
Classic Junction Box	16 * 15.7 * 6.8"
Dental Light	31.1*18.1*7.1"

AJ15

Operator Package

AJ15 Chair



Patient chair

Part number
A091502

Retail Price
\$7,726

Standard Features

AJ15 hydraulic chair with 3 programmable positions,
 Double articulating headrest,
 Swing up/down armrest,
 Cast iron chair frame,
 Steel backrest stand,
 Steel base plate,
 60 degrees seat rotation, chair safety switch,
 Narrow backrest, upgraded fiber leather,
 One touchpad attached on armrest, Foot control

Specifications

Weight	364lbs;
Max patient load	550lbs;
Electrical requirements	AC110V±22V; 50HZ , 60HZ;
Environmental requirements	Ambient temperature 41 °F~104 °F; Humidity ≤80%; Atomospherical pressure 8.7psi~15.4psi;
Hydraulic pump run time	Intermittent operation 2min On / 18min Off;

Operatory Packages

AJ15 Classic 100



Options



Continental
dentist's control
Part number:A0502532



Amber II LED light
Part number:A121715



Touch pad for Classic
delivery tray
Part number:A121712



HP Fiber optic system
with 1 tubing (6 pin)
Part number:A121532

Standard Features

AJ15 hydraulic chair with 3 programmable positions,
Double articulating headrest, Swing up/down armrest,
Narrow backrest, upgraded fiber leather,
Cast iron chair frame, Steel backrest stand, Steel base plate,
60 degrees seat rotation, chair safety switch,
One touchpad, Foot control

Classic dentist's control head with 3 auto H.P. control,
Individual water coolant controls,
Master handpiece air coolant adjustment,
Asepsis handpiece tubing, Handpiece flush system,
Master on/off switch, 1 doctor syringe, Wet/Dry foot control,
Stainless steel tray with non-slip pad, Flex arm air brake switch

- Classic 100 Post mounted utility (PMU) with steel side box,
- City water/bottled system, Water outlet and air QD,
- Solids collector,
- 2 HVE, 1SE, 1 syringe on telescoping assistant's control,
- Junction box with air/water filters, regulators, master shut-off valves,
- 5 ft. umbilical
- Post mount LED light with sensor control, 3 level intensity adjustment

Operatory System

Part number	Description	Retail Price
A9151002	AJ15 Classic100 OTP Operatory Package without cuspidor	\$13,396

Package includes

A091502	AJ15 Hydraulic Chair AJ15 Narrow backrest hydraulic chair with 3 programmable postions and fiber leather	\$7,726
A0711001	Classic 100 delivery system Classic Over the patient (OTP) dental unit with PMU	\$4,336
A0502520	<ul style="list-style-type: none"> • Classic Post mount Dentist's Control Classic dentist's control head with 3 auto H.P.control, 1 doctor syringe, Wet/Dry foot control, Stainless steel tray with non-slip pad, Rigid arm and Flex arm 	\$3,002
A0710010	<ul style="list-style-type: none"> • Classic 100 Post Mounted Utility (PMU) Classic 100 Post mounted utility (PMU) with steel side box,City water/bottled system, Water outlet and air QD,Telescoping assistant's arm with 2 HVE,1SE, 1 syringe, Junction box with valves 	\$1,334
A0602600	Post mount Whale LED light Post mount touchless sensor Whale LED light with 30" light post	\$1,334
A11202	Chair adapter B Chair adapter for ADS chairs	No charge in ADS package

Options

A121532	HP Fiber optic system with 1 tubing (6 pin)	\$468
A121533	HP Fiber optic system with 2 tubings (6 pin)	\$670
A121712	Touch pad for Classic delivery tray	\$602
A120501	ADS post mount Monitor bracket	\$799
A120403	Built in scaler with LED	\$732
A120301	Built-in curing light	\$602
A121915	Additional umbilical per foot for Classic 100	\$50/ft
A121715	Amber II LED light	\$399 Add
A0502532	Continental dentist's control	\$1166 Add
A080103	D3 Doctor stool	\$657
A080224	N4 Assistant stool	\$806
8018895	Additional 4th handpiece tubing	\$262
A121963	Bien Air MCX Built In System without touchpad ...	\$3,890
A121973	Bien Air MCX Built In System with touchpad	\$5,558

	Packing Dimensions (L*W*H)	Weight
Chair	47.6*30.5*31.3"	378 lbs
Upholstery	50.4*25*8.9"	26.8 lbs
Classic Dentist's Control	30.4*19.1*12"	32.5 lbs
PMU	43.9*21.1*13.7"	59.4 lbs
Dental Light	31.1*18.1*7.1"	22.6 lbs

Operatory Packages

AJ15 Classic 101



Options



Continental dentist's control
Part number:A0502532



Amber II LED light
Part number:A121715



Touch pad for Classic delivery tray
Part number:A121712



HP Fiber optic system with 1 tubing (6 pin)
Part number:A121532

Standard Features

AJ15 hydraulic chair with 3 programmable positions, Double articulating headrest, Swing up/down armrest, Narrow backrest, upgraded fiber leather, Cast iron chair frame, Steel backrest stand, Steel base plate, 60 degrees seat rotation, chair safety switch, One touchpad, Foot control

Classic dentist's control head with 3 auto H.P. control, Individual water coolant controls, Master handpiece air coolant adjustment, Asepsis handpiece tubing, Master on/off switch, 1 doctor syringe, Wet/Dry foot control, Remote toggles for cup fill and bowl rinse, Stainless steel tray with non-slip pad, Flex arm air brake switch, Porcelain cuspidor bowl with strainer, Cup fill & Bowl rinse toggles.

- Classic 101 Post mounted utility (PMU) with steel side box,
- City water/bottled system, Water outlet and air QD,
- Solids collector,
- 2 HVE, 1SE, 1 syringe on telescoping assistant's control,
- Junction box with air/water filters, regulators, master shut-off valves,
- 5 ft. umbilical
- Swing mount LED light with sensor control, 3 level intensity adjustment

Operatory System

Part number	Description	Retail Price
A9151012	AJ15 Classic101 OTP Operatory Package with Cuspidor	\$14,229

Package includes

A091502	AJ15 Hydraulic Chair AJ15 Narrow backrest hydraulic chair with 3 programmable postions and fiber leather	\$7,726
A0711011	Classic 101 delivery system Classic Over the patient (OTP) dental unit with PMU and cuspidor	\$5,169
A0502520	<ul style="list-style-type: none"> • Classic Post mount Dentist's Control Classic dentist's control head with 3 auto H.P.control, 1 doctor syringe, Wet/Dry foot control, Stainless steel tray with non-slip pad, Rigid arm and Flex arm 	\$3,002
A0710111	<ul style="list-style-type: none"> • Classic101 Post Mounted Utility (PMU) Classic 101 Post mounted utility (PMU) with cuspidor and steel side box, City water/bottled system, Water outlet and air QD, Telescoping assistant's arm with 2 HVE, 1SE, 1 syringe, Junction box with valves, 	\$2,167
A0602600	Post mount Whale LED light Post mount touchless sensor Whale LED light with 30" light post	\$1,334
A11202	Chair adapter B Chair adapter for ADS chairs	No charge in ADS package

Options

A121532	HP Fiber optic system with 1 tubing (6 pin)	\$468
A121533	HP Fiber optic system with 2 tubings (6 pin)	\$670
A121712	Touch pad for Classic delivery tray	\$602
A120501	ADS post mount Monitor bracket	\$799
A120403	Built in scaler with LED	\$732
A120301	Built-in curing light	\$602
A121916	Additional umbilical per foot for Classic 101	\$50/ft
A121715	Amber II LED light	\$399 Add
A0502532	Continental dentist's control	\$1166 Add
A080103	D3 Doctor stool	\$657
A080224	N4 Assistant stool	\$806
8018895	Additional 4th handpiece tubing	\$262
A121963	Bien Air MCX Built In System without touchpad...	\$3,890
A121973	Bien Air MCX Built In System with touchpad	\$5,558

	Packing Dimensions (L*W*H)	Weight
Chair	47.6*30.5*31.3"	378 lbs
Upholstery	50.4*25*8.9"	26.8 lbs
Classic Dentist's Control	30.4*19.1*12"	32.5 lbs
PMU	43.9*21.1*13.7"	71.5 lbs
Dental Light	31.1*18.1*7.1"	22.6 lbs

AJ15 Classic 200



Options



Continental dentist's control
Part number:A0502532



Amber II LED light
Part number:A121715



Touch pad for Classic delivery tray
Part number:A121712



HP Fiber optic system with 1 tubing (6 pin)
Part number:A121532

Standard Features

- AJ15 hydraulic chair with 3 programmable positions,
- Double articulating headrest, Swing up/down armrest,
- Narrow backrest, upgraded fiber leather,
- Cast iron chair frame, Steel backrest stand, Steel base plate,
- 60 degrees seat rotation, chair safety switch,
- One touchpad, Foot control
- Swing Classic dentist's control head with 3 auto H.P. control,
- Individual water coolant controls,
- Master handpiece air coolant adjustment,
- Asepsis handpiece tubing,
- Master on/off switch, 1 doctor syringe,
- Wet/Dry foot control, Stainless steel tray with non-slip pad,
- City/bottled water system, 5 ft umbilical,
- Junction box with air/water filters, regulators, master shut-off valves,
- Chair mounted swing rear assistant vacuum package,
- Water outlet and air QD on assistant tray,
- Solids collector,
- 2 HVE, 1SE, 1 syringe
- Swing mount LED light with sensor control, 3 level intensity adjustment

Operatory System

Part number	Description	Retail Price
A9152002	AJ15 Classic200 Left/Right Swing Operatory Package	\$14,729

Package includes

A091502	AJ15 Hydraulic Chair AJ15 Narrow backrest hydraulic chair with 3 programmable postions and fiber leather	\$7,726
A0712003	Classic200 delivery system Classic 200 Left/ Right Swing Delivery System with 3 auto HP control, bottled water system, Swing assistant vac pac with 2HVE, 1SE and 1 syringe.	\$5,335
A0502521	<ul style="list-style-type: none"> • Classic Swing mount dentist's control Swing mount 3HP auto dentist's control, bottled water system, utility center and valves 	\$3,833
A0332303	<ul style="list-style-type: none"> • Classic Swing mount assistant vacuum package Chair mounted swing rear assistant vacuum package,Water outlet and air QD on assitant tray, 2 HVE,1SE, 1 syringe 	\$1,502
A0603600	Swing mount Whale LED light Swing mount touchless sensor Whale LED Dental Light with 24" light post and swing compass arm	\$1,668
A11204	Chair Adapter D	No charge in ADS package

Options

A121532	HP Fiber optic system with 1 tubing (6 pin)	\$468
A121533	HP Fiber optic system with 2 tubings (6 pin)	\$670
A121712	Touch pad for Classic delivery tray	\$602
A120501	ADS post mount Monitor bracket	\$799
A120403	Built in scaler with LED	\$732
A120301	Built-in curing light	\$602
A121902	Additional umbilical per foot for Classic 200	\$50/ft
A121715	Amber II LED light	\$399 Add
A0502532	Continental dentist's control	\$1166 Add
A080103	D3 Doctor stool	\$657
A080224	N4 Assistant stool	\$806
8018895	Additional 4th handpiece tubing.....	\$262
A121963	Bien Air MCX Built In System without touchpad ...	\$3,890
A121973	Bien Air MCX Built In System with touchpad	\$5,558

	Packing Dimensions (L*W*H)	Weight
Chair	47.6 * 30.5 * 31.3"	378 lbs
Upholstery	50.4*25 * 8.9"	26.8 lbs
Classic Dentist's Control	33.4*19.1 * 12"	32.5 lbs
Swing mount assistant vacuum package	33.9*30.8 * 8"	49 lbs
Classic Junction Box	16 * 15.7 * 6.8"	11 lbs
Dental Light	31.1*18.1*7.1"	20.6 lbs

AJ15 Classic 201



Options



Continental dentist's control
Part number:A0502532



Amber II LED light
Part number:A121715



Touch pad for Classic delivery tray
Part number:A121712



HP Fiber optic system with 1 tubing (6 pin)
Part number:A121532

Standard Features

AJ15 hydraulic chair with 3 programmable positions, Double articulating headrest, Swing up/down armrest, Narrow backrest, upgraded fiber leather, Cast iron chair frame, Steel backrest stand, Steel base plate, 60 degrees seat rotation, chair safety switch, One touchpad, Foot control

Swing Classic dentist's control head with 3 auto H.P. control, Individual water coolant controls, Master handpiece air coolant adjustment, Asepsis handpiece tubing, Master on/off switch, 1 doctor syringe, Wet/Dry foot control, Stainless steel tray with non-slip pad, City/bottled water system, 5 ft umbilical, Junction box with air/water filters, regulators, master shut-off valves,

- Swing mount Cupspidor and assistant vacuum package ,
- Cuspidor and assistant vacumm package,
- Water outlet and air QD on assistant tray,
- Solids collector, 2 HVE, 1SE, 1 syringe
- Swing mount LED light with sensor control, 3 level intensity adjustment

Operatory System

Part number	Description	Retail Price
A9152012	AJ15 Classic201 Left/Right Swing Operatory Package with cuspidor	\$16,064

Package includes

A091502	A.J15 Hydraulic Chair AJ15 Narrow backrest hydraulic chair with 3 programmable postions and fiber leather	\$7,726
A0712011	Classic201 delivery system Classic 201 Left/Right Swing compact Delivery System with 3 auto HP control, bottled water system, Swing mount side box, cuspidor and assistant vac pac with 2HVE,1SE and 1 syringe.	\$6,670
A0502521	<ul style="list-style-type: none"> • Classic Swing mount dentist's control Swing mount 3HP auto dentist's control, bottled water system, utility center and valves 	\$3,833
A0402400	<ul style="list-style-type: none"> • Classic201/Beyond401 Swing mount cuspidor and assistant vacuum package Chair mounted swing rear cuspidor and assistant vacuum package, 2 HVE,1 SE,1 syringe 	\$2,837
A0603600	Swing mount Whale LED light Swing mount touchless sensor Whale LED Dental Light with 24" light post and swing compass arm	\$1,668
A11206	Chair Adapter E	No charge in ADS package

Options

A121532	HP Fiber optic system with 1 tubing (6 pin)	\$468
A121533	HP Fiber optic system with 2 tubings (6 pin)	\$670
A121712	Touch pad for Classic delivery tray	\$602
A120501	ADS post mount Monitor bracket	\$799
A120403	Built in scaler with LED	\$732
A120301	Built-in curing light	\$602
A121918	Additional umbilical per foot for Classic 201	\$50/ft
A121715	Amber II LED light	\$399 Add
A0502532	Continental dentist's control	\$1166 Add
A080103	D3 Doctor stool	\$657
A080224	N4 Assistant stool	\$806
8018895	Additional 4th handpiece tubing	\$262
A121963	Bien Air MCX Built In System without touchpad	\$3,890
A121973	Bien Air MCX Built In System with touchpad	\$5,558

	Packing Dimensions (L*W*H)	Weight
Chair	47.6 * 30.5 * 31.3"	378 lbs
Upholstery	50.4*25 * 8.9"	26.8 lbs
Classic Dentist's Control	30.4*19.1*12"	32.5 lbs
Swing mount assistant vacuum package	33.9*30.8 * 8"	44 lbs
Classic Junction Box	16 * 15.7 * 6.8"	11 lbs
Dental Light	31.1*18.1*7.1"	20.6 lbs

AJ16

Operator
Package

AJ16 Chair



Patient chair

Part number

A091602

Retail Price

\$8,749

Standard Features

AJ16 Luxury hydraulic chair with 3 programmable positions,
Double articulating headrest,
Swing up/down armrest,
Cast iron chair frame,
Cast aluminum backrest stand,
Cast aluminum base,
60 degrees seat rotation, chair safety switch,
Wide backrest, Upgraded fiber leather,
One touchpad attached on armrest, Foot control

Specifications

Weight	366lbs;
Max patient load	550lbs;
Electrical requirements	AC110V±22V; 50HZ , 60HZ;
Environmental requirements	Ambient temperature 41 °F~104 °F; Humidity ≤80%; Atomospherical pressure 8.7psi~15.4psi;
Hydraulic pump run time	Intermittent operation 2min On / 18min Off;

AJ16 Beyond 300



Options



Continental dentist's control
Part number:A0502532



HP Fiber optic system with 1 tubing (6 pin)
Part number:A121532

Standard Features

AJ16 Luxury hydraulic chair, with 3 programmable positions, Double articulating headrest, Swing up/down armrest, Wide backrest, upgraded fiber leather, Cast iron chair frame, Cast aluminium backrest stand, Cast aluminium base, 60 degrees seat rotation, chair safety switch, One touchpad, Foot control

Beyond luxury dentist's control head, Standard touchpad, Cast aluminium delivery head base, double pivot delivery head, with 3 auto H.P. control, Individual water coolant controls, Master handpiece air coolant adjustment, Asepsis handpiece tubing, Master on/off switch, 1 doctor syringe, Wet/Dry foot control, Stainless steel tray with non-slip pad, Flex arm air brake switch

- Beyond 300 Post mounted utility (PMU) with silver side box,
- City water/bottled system, Water outlet and air QD,
- Swing assistant tray with touchpad,
- Solids collector,
- 2 HVE, 1SE, 1 syringe,
- Aluminium base Junction box with air/water filters, regulators, master shut-off valves,
- 5 ft umbilical
- Post mount LED light with sensor control, 3 level intensity adjustment

Operatory System

Part number	Description	Retail Price
A9163004	AJ16 Beyond300 OTP Operatory Package without cuspidor	\$15,817

Package includes

A091602	AJ16 Hydraulic Chair AJ16 wide backrest hydraulic chair with 3 programmable positions and fiber leather	\$8,749
A0723002	Beyond300 delivery system	\$5,335
A0502550	<ul style="list-style-type: none"> Beyond Post mount Dentist's Control Beyond luxury dentist's control head, Cast aluminium delivery head base, double pivot delivery head, with 3 auto H.P.control, 1 doctor syringe, Wet/Dry foot control, Stainless steel tray,Rigid arm and Flex arm 	\$3,833
A0730020	<ul style="list-style-type: none"> Beyond300 Post Mounted Utility (PMU) Beyond300 Post mounted utility (PMU) with silver side box, City water/ bottled system, Swing assistant tray with touchpad, 2 HVE,1SE,1 syringe,Aluminium base Junction box with valves 	\$1,502
A0602670	Post mount Amber II LED light Post mount touchless sensor Amber II LED light with 30" light post	\$1,733
A11203	Chair adapter C	No charge in ADS package

Options

A121532	HP Fiber optic system with 1 tubing (6 pin)	\$468
A121533	HP Fiber optic system with 2 tubings (6 pin)	\$670
A120501	ADS post mount Monitor bracket	\$799
A120403	Built in scaler with LED	\$732
A120301	Built-in curing light	\$602
A121901	Additional umbilical per foot	\$50/ft
	for Beyond 300/Beyond 301	
A0502532	Continental dentist's control	\$333 Add
A080103	D3 Doctor stool	\$657
A080224	N4 Assistant stool	\$806
8018895	Additional 4th handpiece tubing	\$262
8602759B	AJ16 armrest cover	\$252/pair
A121963	Bien Air MCX Built In System without touchpad...	\$3,890
A121973	Bien Air MCX Built In System with touchpad	\$5,558

	Packing Dimensions (L*W*H)	Weight
Chair	47.6*30.5*31.3"	366 lbs
Upholstery	50.4*25*8.9"	26.8 lbs
Beyond Dentist's Control	30.8*23.1*14.1"	44 lbs
PMU	37.4*25.7*16.1"	75 lbs
Dental Light	31.1*18.1*7.1"	22.6 lbs

AJ16 Beyond 301



Options



Continental dentist's control
Part number:A0502532



HP Fiber optic system with 1 tubing (6 pin)
Part number:A121532

Standard Features

AJ16 Luxury hydraulic chair, with 3 programmable positions, Double articulating headrest, Swing up/down armrest, Wide backrest, upgraded fiber leather, Cast iron chair frame, Cast aluminium backrest stand, Cast aluminium base, 60 degrees seat rotation, chair safety switch, One touchpad, Foot control

Beyond luxury dentist's control head, Standard touchpad, Cast aluminium delivery head base, double pivot delivery head, with 3 auto H.P. control, Individual water coolant controls, Master handpiece air coolant adjustment, Asepsis handpiece tubing, Master on/off switch, 1 doctor syringe, Wet/Dry foot control, Stainless steel tray with non-slip pad, Flex arm air brake switch Porcelain cuspidor bowl with strainer, Cup fill & Bowl rinse toggles.

- Beyond 301 Post mounted utility (PMU) with silver side box,
- City water/bottled system, Water outlet and air QD,
- Solids collector,
- 2 HVE,1SE,1 syringe ,
- Junction box with air/water filters, regulators, master shut-off valves,
- 5 ft. umbilical
- Post mount LED light with sensor control, 3 level intensity adjustment

Operatory System

Part number	Description	Retail Price
A9163014	AJ16 Beyond 301 OTP Operatory Package with cuspidor	\$16,650

Package includes

A091602	AJ16 Hydraulic Chair AJ16 wide backrest hydraulic chair with 3 programmable postions and fiber leather	\$8,749
A0723012	Beyond301 delivery system	\$6,168
A0502550	<ul style="list-style-type: none"> Beyond Post mount Dentist's Control Beyond luxury dentist's control head, Cast aluminium delivery head base, double pivot delivery head, with 3 auto H.P.control, 1 doctor syringe, Wet/Dry foot control, Stainless steel tray, Rigid arm and Flex arm 	\$3,833
A0730121	<ul style="list-style-type: none"> Beyond301 Post Mounted Utility (PMU) Beyond301 Post mounted utility (PMU) with cuspidor and silver side box, City waterl bottled system, Swing assitant tray with touchpad, 2 HVE,1SE, 1 syringe,Alumium base Junction box with valves 	\$2,335
A0602670	Post mount Amber II LED light Post mount touchless sensor Amber II LED light with 30" light post	\$1,733
A11203	Chair adapter C	No charge in ADS package

Options

A121532	HP Fiber optic system with 1 tubing (6 pin)	\$468
A121533	HP Fiber optic system with 2 tubings (6 pin)	\$670
A120501	ADS post mount Monitor bracket	\$799
A120403	Built in scaler with LED	\$732
A120301	Built-in curing light	\$602
A121901	Additional umbilical per foot	\$50/ft
A0502532	Continental dentist's control	\$333 Add
A080103	D3 Doctor stool	\$657
A080224	N4 Assistant stool	\$806
8018895	Additional 4th handpiece tubing	\$262
8602759B	AJ16 armrest cover	\$252/pair
A121963	Bien Air MCX Built In System without touchpad...	\$3,890
A121973	Bien Air MCX Built In System with touchpad	\$5,558

Packing Dimensions (L*W*H)

Chair	47.6*30.5*31.3"
Upholstery	50.4*25*8.9"
Beyond Dentist's Control	30.8*23.1*14.1"
PMU	37.4*25.7*16.1"
Dental Light	31.1*18.1*7.1"

AJ16 Beyond 400



Options



Continental
dentist's control
Part number:A0502532



HP Fiber optic system
with 1 tubing (6 pin)
Part number:A121532

Standard Features

- AJ16 Luxury hydraulic chair, with 3 programmable positions,
- Double articulating headrest, Swing up/down armrest,
- Wide backrest, upgraded fiber leather, Cast iron chair frame,
- Cast aluminium backrest stand, Cast aluminium base,
- 60 degrees seat rotation, chair safety switch,
- One touchpad, Foot control
- Swing Beyond dentist's control head, Standard touchpad,
- Cast aluminium delivery head base, double pivot delivery head with 3 auto H.P.control
- Individual water coolant controls
- Master handpiece air coolant adjustment, Asepsis handpiece tubing,
- Master on/off switch, 1 doctor syringe,
- Wet/Dry foot control, Stainless steel tray with non-slip pad,
- City/bottled water system, 5 ft umbilical,
- Junction box with air/water filters, regulators, master shut-off valves.
- Chair mounted swing rear assistant vacuum package,
- Assistant touchpad, Water outlet and air QD on assistant tray,
- Solids collector, 2 HVE, 1SE, 1 syringe
- Swing mount LED light with sensor control, 3 level intensity adjustment

Operatory System

Part number	Description	Retail Price
A9164004	AJ16 Beyond 400 Left/Right Swing Operatory Package	\$17,483

Package includes

A091602	AJ16 Hydraulic Chair AJ16 wide backrest hydraulic chair with 3 programmable postions and fiber leather	\$8,749
A0724003	Beyond400 delivery system Beyond 400 Left/Right Swing Delivery System with 3 auto HP control, dentist touchpad, bottled water system, Swing assistant vac pac with 2HVE, 1SE and 1 syringe, assitant touchpad.	\$6,668
A0502551	<ul style="list-style-type: none"> • Beyond Swing mount dentist's control Swing Beyond dentist's control head, Standard touchpad, Cast aluminium delivery head base, double pivot delivery head, 3 auto H.P.control, 1 doctor syringe, Wet/Dry foot control, Stainless steel tray, City/bottled water system, 5 ft umbilical, Junction box with valves 	\$4,666
A0332302	<ul style="list-style-type: none"> • Beyond Swing mount assistant vacumm package Chair mounted swing rear assistant vacumm package, Assistant touchpad, 2 HVE, 1SE, 1 syringe 	\$2,002
A0602673	Swing mount Amber II LED light Swing mount touchless sensor Amber II LED Dental Light with 24" light post and swing compass arm	\$2,066
A11204	Chair adapter D	No charge in ADS package

Options

A121532	HP Fiber optic system with 1 tubing (6 pin)	\$468
A121533	HP Fiber optic system with 2 tubings (6 pin)	\$670
A11302	Swing mounted monitor arm and bracket	\$799
A120403	Built in scaler with LED	\$732
A120301	Built-in curing light	\$602
A121902	Additional umbilical per foot for Beyond 200/Beyond 400	\$50/ft
A0502532	Continental dentist's control	\$333 Add
A080103	D3 Doctor stool	\$657
A080224	N4 Assistant stool	\$806
8018895	Additional 4th handpiece tubing	\$262
8602759B	AJ16 armrest cover	\$252/pair
A121963	Bien Air MCX Built In System without touchpad...	\$3,890
A121973	Bien Air MCX Built In System with touchpad	\$5,558

	Packing Dimensions (L*W*H)	Weight
Chair	47.6*30.5*31.3"	366 lbs
Upholstery	50.4*25*8.9"	26.8 lbs
Beyond Dentist's Control	30.8*23.1*14.1"	44 lbs
Swing mount assistant vacuum package	33.9*30.8*8"	49 lbs
Beyond Junction box	19.4*17.8*8.8"	19 lbs
Dental Light	31.1*18.1*7.1"	20.6 lbs

AJ16 Beyond 401



Options



Continental dentist's control
Part number:A0502532



HP Fiber optic system with 1 tubing (6 pin)
Part number:A121532

Standard Features

- AJ16 Luxury hydraulic chair, with 3 programmable positions,
- Articulating headrest, Swing up/down armrest,
- Wide backrest, upgraded fiber leather, Cast iron chair frame,
- Cast aluminium backrest stand, Cast aluminium base,
- 60 degrees seat rotation, chair safety switch,
- One touchpad, Foot control
- Swing Beyond dentist's control head, Standard touchpad,
- Cast aluminium delivery head base, double pivot delivery head, 3 auto H.P. control,
- Individual water coolant controls,
- Master handpiece air coolant adjustment,
- Asepsis handpiece tubing,
- Master on/off switch, 1 doctor syringe
- Wet/Dry foot control,
- Stainless steel tray with non-slip pad,
- City/bottled water system, 5 ft umbilical,
- Junction box with air/water filters, regulators, master shut-off valves.
- Chair mounted swing rear cuspidor and assistant vacuum package,
- Assistant touchpad, Water outlet and air QD on assistant tray,
- Solids collector, 2 HVE, 1SE, 1 syringe
- Swing mount LED light with sensor control, 3 level intensity adjustment

Operatory System

Part number	Description	Retail Price
A9164014	AJ16 Beyond 401 Left/Right Swing Operatory Package with cuspidor	\$18,318

Package includes

A091602	AJ16 Hydraulic Chair AJ16 wide backrest hydraulic chair with 3 programmable positions and fiber leather	\$8,749
A0724012	Beyond401 delivery system Beyond 401 Left/Right Swing Luxury Delivery System with 3 auto HP control, dentist touchpad, bottled water system, Swing mount side box, cuspidor and assistant vac pac with 2HVE, 1SE and 1 syringe, assistant touchpad.	\$7,503
A0502551	<ul style="list-style-type: none"> Beyond Swing mount dentist's control Swing Beyond dentist's control head, Standard touchpad, Cast aluminium delivery head base, double pivot delivery head, 3 auto H.P.control, 1 doctor syringe, Wet/Dry foot control, Stainless steel tray, City/bottled water system, 5 ft umbilical, Junction box with valves 	\$4,666
A0402400	<ul style="list-style-type: none"> Classic201/Beyond401 Swing mount cuspidor and assistant vacuum package Chair mounted swing rear cuspidor and assistant vacuum package, 2 HVE, 1 SE, 1 syringe 	\$2,837
A0602673	Swing mount Amber II LED light Swing mount touchless sensor Amber II LED Dental Light with 24" light post and swing compass arm	\$2,066
A11206	Chair adapter E	No charge in ADS package

Options

A121532	HP Fiber optic system with 1 tubing (6 pin)	\$468
A121533	HP Fiber optic system with 2 tubings (6 pin)	\$670
A11302	Swing mounted monitor arm and bracket	\$799
A120403	Built in scaler with LED	\$732
A120301	Built-in curing light	\$602
A121918	Additional umbilical per foot for Beyond 201/Beyond 401	\$50/ft
A0502532	Continental dentist's control	\$333 Add
A080103	D3 Doctor stool	\$657
A080224	N4 Assistant stool	\$806
8018895	Additional 4th handpiece tubing	\$262
8602759B	AJ16 armrest cover	\$252/pair
A121963	Bien Air MCX Built In System without touchpad	\$3,890
A121973	Bien Air MCX Built In System with touchpad	\$5,558

Packing Dimensions (L*W*H)

Chair	47.6*30.5*31.3"
Upholstery	50.4*25*8.9"
Beyond Dentist's Control	30.8*23.1*14.1"
Swing mount assistant vacuum package	33.9*30.8*8"
Beyond Junction box	19.4*17.8*8.8"
Dental Light	31.1*18.1*7.1"

AJ16 Beyond 300 Continental



Options



HP Fiber optic system
with 1 tubing (6 pin)
Part number:A121532

Standard Features

AJ16 Luxury hydraulic chair, with 3 programmable positions,
Double articulating headrest, Swing up/down armrest,
Wide backrest, upgraded fiber leather, Cast iron chair frame,
Cast aluminium backrest stand,
Cast aluminium base,
60 degrees seat rotation, chair safety switch,
One touchpad, Foot control

Beyond luxury dentist's control head, Standard touchpad,
Cast aluminium delivery head base, double pivot delivery head,
with 3 auto H.P. control,
Individual water coolant controls,
Master handpiece air coolant adjustment,
Asepsis handpiece tubing,
Master on/off switch, 1 doctor syringe, Wet/Dry foot control,
Stainless steel tray with non-slip pad, Flex arm air brake switch

- Beyond 300 Post mounted utility (PMU) with silver side box,
- City water/bottled system, Water outlet and air QD,
- Swing assistant tray with touchpad,
- Solids collector,
- 2 HVE, 1SE, 1 syringe,
- Aluminium base Junction box with air/water filters, regulators, master shut-off valves,
- 5 ft. umbilical

- Post mount LED light with sensor control, 3 level intensity adjustment

Operatory System

Part number	Description	Retail Price
A9163005	AJ16 Beyond 300 Continental	\$16,150

Package includes

A091602	AJ16 Hydraulic Chair AJ16 wide backrest hydraulic chair with 3 programmable positions and fiber leather	\$8,749
A0723003	Beyond300 delivery system Continental	\$5,668
A0502530	• Continental post mounted dentist's control	\$4,166
A0730020	• Beyond300 Post Mounted Utility (PMU) Beyond300 Post mounted utility (PMU) with silver side box, City water/ bottled system, Swing assistant tray with touchpad, 2 HVE, 1SE, 1 syringe, Aluminum base Junction box with valves	\$1,502
A0602670	Post mount Amber II LED light Post mount touchless sensor Amber II LED light with 30" light post	\$1,733
A11203	Chair adapter C	No charge in ADS package

Options

A121532	HP Fiber optic system with 1 tubing (6 pin)	\$468
A121533	HP Fiber optic system with 2 tubings (6 pin)	\$670
A120501	ADS post mount Monitor bracket	\$799
A120403	Built in scaler with LED	\$732
A120301	Built-in curing light	\$602
A121901	Additional umbilical per foot	\$50/ft
	for Beyond 300/Beyond 301	
A080103	D3 Doctor stool	\$657
A080224	N4 Assistant stool	\$806
8018895	Additional 4th handpiece tubing	\$262
8602759B	AJ16 armrest cover	\$252/pair
A121963	Bien Air MCX Built In System without touchpad...	\$3,890
A121973	Bien Air MCX Built In System with touchpad	\$5,558

Packing Dimensions (L*W*H)

Chair	47.6*30.5*31.3"
Upholstery	50.4*25*8.9"
Beyond Dentist's Control	30.8*23.1*14.1"
PMU	37.4*25.7*16.1"
Dental Light	31.1*18.1*7.1"

AJ16 Beyond 400 Continental



Options



HP Fiber optic system
with 1 tubing (6 pin)
Part number:A121532

Standard Features

- AJ16 Luxury hydraulic chair, with 3 programmable positions,
- Double articulating headrest, Swing up/down armrest,
- Wide backrest, upgraded fiber leather, Cast iron chair frame,
- Cast aluminium backrest stand, Cast aluminium base,
- 60 degrees seat rotation, chair safety switch,
- One touchpad, Foot control
- Swing Beyond dentist's control head, Standard touchpad,
- Cast aluminium delivery head base, double pivot delivery head, 3 auto H.P. control, Individual water coolant controls,
- Master handpiece air coolant adjustment, Asepsis handpiece tubing,
- Master on/off switch, 1 doctor syringe,
- Wet/Dry foot control, Stainless steel tray with non-slip pad,
- City/bottled water system, 5 ft umbilical,
- Junction box with air/water filters, regulators, master shut-off valves,
- Chair mounted swing rear assistant vacuum package,
- Assistant touchpad, Water outlet and air QD on assistant tray,
- Solids collector, 2 HVE, 1SE, 1 syringe
- Swing mount LED light with sensor control, 3 level intensity adjustment

Operatory System

Part number	Description	Retail Price
A9164005	AJ16 Beyond 400 Continental	\$17,816

Package includes

A091602	AJ16 Hydraulic Chair AJ16 wide backrest hydraulic chair with 3 programmable postions and fiber leather	\$8,749
A0724004	Beyond400 delivery system Continental	\$7,001
A0502531	<ul style="list-style-type: none"> • Continental Swing mounted dentist's control Swing Beyond dentist's control head, Standard touchpad, Cast aluminium delivery head base, double pivot delivery head, 3 auto H.P.control, 1 doctor syringe, Wet/Dry foot control, Stainless steel tray, City/bottled water system, 5 ft umbilical, Junction box with valves 	\$4,999
A0332302	<ul style="list-style-type: none"> • Beyond Swing mount assistant vacumm package Chair mounted swing rear assistant vacumm package, Assistant touchpad, 2 HVE,1SE, 1 syringe 	\$2,002
A0602673	Swing mount Amber II LED light Swing mount touchless sensor Amber II LED Dental Light with 24" light post and swing compass arm	\$2,066
A11204	Chair adapter D	No charge in ADS package

Options

A121532	HP Fiber optic system with 1 tubing (6 pin)	\$468
A121533	HP Fiber optic system with 2 tubings (6 pin)	\$670
A11302	Swing mounted monitor arm and bracket	\$799
A120403	Built in scaler with LED	\$732
A120301	Built-in curing light	\$602
A121902	Additional umbilical per foot	\$50/ft
	for Beyond 200/Beyond 400	
A080103	D3 Doctor stool	\$657
A080224	N4 Assistant stool	\$806
8018895	Additional 4th handpiece tubing	\$262
8602759B	AJ16 armrest cover	\$252/pair
A121963	Bien Air MCX Built In System without touchpad...	\$3,890
A121973	Bien Air MCX Built In System with touchpad	\$5,558

	Packing Dimensions (L*W*H)	Weight
Chair	47.6*30.5*31.3"	366 lbs
Upholstery	50.4*25*8.9"	26.8 lbs
Beyond Dentist's Control	30.8*23.1*14.1"	30 lbs
Swing mount assistant vacuum package	33.9*30.8*8"	49 lbs
Beyond Junction box	19.4*17.8*8.8"	19 lbs
Dental Light	31.1*18.1*7.1"	20.6 lbs

AJ18

Operator Package

AJ18 Chair with Comfort kit

(Trendelenburg Ergonomic chair, Heating, Massage)



Part number
A091803

Retail Price
\$11,514

Upholstery Color Selections



N1 Baikal



N2 Venice



N7 Birch Grey



N8 Misty Grey



N9 Carnelian



N10 Bordeaux



N11 Obsidian

Standard Features

Trendelenburg ergonomic chair,
AJ18 hydraulic chair with 3 programmable positions,
Double articulating headrest,
Swing up/down iron armrest,
Cast iron chair frame,
Iron backrest stand,

Cast aluminum base,
Wide backrest, upgraded fiber leather,
60 degrees seat rotation, chair safety switch,
One touchpad, Foot control

Specifications

Weight	340lbs
Max patient load	550lbs
Electrical requirements	AC110V±22V; 50HZ,60HZ;
Environmental requirements	Ambient temperature 41°F~104°F; Humidity≤80%; Atomospherical pressure 8.7psi~15.4psi
Hydraulic pump run time	Intermittent operation 2minOn / 18min Off

AJ18 Beyond 300



Options



Continental dentist's control
Part number: A0502532



HP Fiber optic system with 1 tubing (6 pin)
Part number: A121532



Comfort kit (Heating, Massage)
Part number: 91800C

Standard Features

- AJ18 hydraulic chair with Comfort kit,
- With 3 programmable positions,
- Double articulating headrest,
- Swing up/down iron armrest,
- Cast iron chair frame,
- Iron backrest stand,
- Cast aluminum base,
- Wide backrest, upgraded fiber leather,
- 60 degrees seat rotation, chair safety switch,
- One touchpad, Foot control
- Beyond luxury dentist's control head, Standard touchpad,
- Cast aluminium delivery head base, double pivot delivery head, with 3 auto H.P. control,
- Individual water coolant controls,
- Master handpiece air coolant adjustment,
- Asepsis handpiece tubing.
- Master on/off switch, 1 doctor syringe, Wet/Dry foot control,
- Stainless steel tray with non-slip pad, Flex arm air brake switch
- Beyond 300 Post mounted utility (PMU) with silver side box,
- City water/bottled system, Water outlet and air QD,
- Swing assistant tray with touchpad,
- Solids collector,
- 2 HVE, 1SE, 1 syringe,
- Aluminum base Junction box with air/water filters, regulators, master shut-off valves,
- 5 ft umbilical
- Post mount LED light with sensor control, 3 level intensity adjustment

Operatory System

Part number	Description	Retail Price
A9183002	AJ18 Beyond300 OTP Operatory Package without cuspidor	\$18,582

Package includes

A091803	AJ18 Hydraulic Chair with comfort kit AJ18 wide backrest hydraulic chair with 3 programmable positions and Nappa leather	\$11,514
A0723005	Beyond300 Delivery system with AJ18 Junction box	\$5,335
A0502550	<ul style="list-style-type: none"> Beyond Post mount Dentist's Control Beyond luxury dentist's control head, Cast aluminium delivery head base, double pivot delivery head, with 3 auto H.P.control, 1 doctor syringe, Wet/Dry foot control, Stainless steel tray,Rigid arm and Flex arm 	\$3,833
A0730021	<ul style="list-style-type: none"> Beyond300 Post Mounted Utility(PMU) with AJ18 Junction box Beyond300 Post mounted utility (PMU) with silver side box, City water/ bottled system, Swing assistant tray with touchpad, 2 HVE,1SE,1 syringe,Alumium base Junction box with valves 	\$1,502
A0602670	Post mount Amber II LED light Post mount touchless sensor Amber II LED light with 30" light post	\$1,733
A11209	Chair adapter M	No charge in ADS package

Options

A121532	HP Fiber optic system with 1 tubing (6 pin)	\$390
A121533	HP Fiber optic system with 2 tubings (6 pin)	\$558
A120501	ADS post mount Monitor bracket	\$666
A120401	Built-in scaler	\$530
A120403	Built in scaler with LED	\$610
A120301	Built-in curing light	\$502
A121901	Additional umbilical per foot for Beyond 300/Beyond 301	\$42/ft
A0502532	Continental dentist's control	\$278 Add
A080103	D3 Doctor stool	\$626
A080224	N4 Assistant stool	\$768
8018895	Additional 4th handpiece tubing	\$218
A121963	Bien Air MCX Built In System without touchpad	\$3,242
A121973	Bien Air MCX Built In System with touchpad	\$4,632
91800C	Comfort kit (Heating, Massage)	\$1,260 Add

Packing Dimensions (L*W*H)

Chair	48.1*32.3*37.6"
Upholstery	50.4*9.3*25"
Beyond Dentist's Control	30.8*23.1*14.1"
PMU	37.4*25.7*16.1"
Dental Light	31.1*18.1*7.1"

AJ18 Beyond 301



Options



Continental dentist's control
Part number: A0502532



HP Fiber optic system with 1 tubing (6 pin)
Part number: A121532



Comfort kit (Heating, Massage)
Part number: 91800C

Standard Features

- AJ18 hydraulic chair with Comfort kit,
- With 3 programmable positions,
- Double articulating headrest,
- Swing up/down iron armrest,
- Cast iron chair frame,
- Iron backrest stand,
- Cast aluminum base,
- Wide backrest, upgraded fiber leather,
- 60 degrees seat rotation, chair safety switch,
- One touchpad, Foot control
- Beyond luxury dentist's control head, Standard touchpad,
- Cast aluminium delivery head base, double pivot delivery head, with 3 auto H.P. control,
- Individual water coolant controls,
- Master handpiece air coolant adjustment,
- Asepsis handpiece tubing.
- Master on/off switch, 1 doctor syringe, Wet/Dry foot control,
- Stainless steel tray with non-slip pad, Flex arm air brake switch
- Beyond 301 Post mounted utility (PMU) with silver side box,
- City water/bottled system, Water outlet and air QD,
- Swing assistant tray with touchpad,
- Solids collector,
- 2 HVE, 1SE, 1 syringe,
- Aluminium base Junction box with air/water filters, regulators, master shut-off valves,
- 5 ft umbilical
- Post mount LED light with sensor control, 3 level intensity adjustment

Operatory System

Part number	Description	Retail Price
A9183012	AJ18 Beyond301 OTP Operatory Package with cuspidor	\$19,415

Package includes

A091803	AJ18 Hydraulic Chair with comfort kit AJ18 wide backrest hydraulic chair with 3 programmable positions and Nappa leather	\$11,514
A0723015	Beyond301 Delivery system with AJ18 Junction box	\$6,168
A0502550	<ul style="list-style-type: none"> • Beyond Post mount Dentist's Control Beyond luxury dentist's control head, Cast aluminium delivery head base, double pivot delivery head, with 3 auto H.P.control, 1 doctor syringe, Wet/Dry foot control, Stainless steel tray,Rigid arm and Flex arm 	\$3,833
A0730122	<ul style="list-style-type: none"> • Beyond301 Post Mounted Utility(PMU) with AJ18 Junction box Beyond301 Post mounted utility (PMU) with silver side box, City water/ bottled system, Swing assistant tray with touchpad, 2 HVE,1SE,1 syringe,Alumium base Junction box with valves 	\$2,335
A0602670	Post mount Amber II LED light Post mount touchless sensor Amber II LED light with 30" light post	\$1,733
A11209	Chair adapter M	No charge in ADS package

Options

A121532	HP Fiber optic system with 1 tubing (6 pin)	\$390
A121533	HP Fiber optic system with 2 tubings (6 pin)	\$558
A120501	ADS post mount Monitor bracket	\$666
A120401	Built-in scaler	\$530
A120403	Built in scaler with LED	\$610
A120301	Built-in curing light	\$502
A121901	Additional umbilical per foot for Beyond 300/Beyond 301	\$42/ft
A0502532	Continental dentist's control	\$278 Add
A080103	D3 Doctor stool	\$626
A080224	N4 Assistant stool	\$768
8018895	Additional 4th handpiece tubing	\$218
A121963	Bien Air MCX Built In System without touchpad	\$3,242
A121973	Bien Air MCX Built In System with touchpad	\$4,632
91800C	Comfort kit (Heating, Massage)	\$1,260 Add

Packing Dimensions (L*W*H)

Chair	48.1*32.3*37.6"
Upholstery	50.4*9.3*25"
Beyond Dentist's Control	30.8*23.1*14.1"
PMU	37.4*25.7*16.1"
Dental Light	31.1*18.1*7.1"

AJ18 Beyond 400



Options



Continental dentist's control
Part number: A0502532



HP Fiber optic system with 1 tubing (6 pin)
Part number: A121532



Comfort kit (Heating, Massage)
Part number: 91800C

Standard Features

- AJ18 hydraulic chair with Comfort kit,
- With 3 programmable positions,
- Double articulating headrest,
- Swing up/down iron armrest,
- Cast iron chair frame,
- Iron backrest stand,
- Cast aluminum base,
- Wide backrest, upgraded fiber leather,
- 60 degrees seat rotation, chair safety switch,
- One touchpad, Foot control
- Chair mounted swing rear assistant vacuum package,
- Assistant touchpad, Water outlet and air QD on assistant tray,
- Solids collector, 2 HVE, 1SE, 1 syringe
- Swing mount LED light with sensor control, 3 level intensity adjustment
- Swing Beyond dentist's control head, Standard touchpad,
- Cast aluminium delivery head base, double pivot delivery head with
- 3 auto H.P. control
- Individual water coolant controls
- Master handpiece air coolant adjustment, Asepsis handpiece tubing,
- Master on/off switch, 1 doctor syringe,
- Wet/Dry foot control, Stainless steel tray with non-slip pad,
- City/bottled water system, 5 ft umbilical,
- Junction box with air/water filters, regulators, master shut-off valves.

Operatory System

Part number	Description	Retail Price
A9184002	AJ18 Beyond400 Left/Right Swing Operatory Package	\$20,248

Package includes

A091803	AJ18 Hydraulic Chair with comfort kit AJ18 wide backrest hydraulic chair with 3 programmable positions and Nappa leather	\$11,514
A0724005	Beyond400 Delivery system with AJ18 Junction box Beyond 400 Left/Right Swing Delivery System with 3 auto HP control, dentist touchpad, bottled water system, Swing assistant vac pac with 2HVE, 1SE and 1 syringe, assistant touchpad.	\$6,668
A05025501	<ul style="list-style-type: none"> Beyond Swing mount dentist's control with AJ18 Junction box Swing Beyond dentist's control head, Standard touchpad, Cast aluminium delivery head base, double pivot delivery head, 3 auto H.P. control, 1 doctor syringe, Wet/Dry foot control, Stainless steel tray, City/bottled water system, 5 ft umbilical, Junction box with valves 	\$4,666
A0332302	<ul style="list-style-type: none"> Beyond Swing mount assistant vacuum package Chair mounted swing rear assistant vacuum package, Assistant touchpad, 2 HVE, 1SE, 1 syringe 	\$2,002
A0602673	Swing mount Amber II LED light Swing mount touchless sensor Amber II LED Dental Light with 24" light post and swing compass arm	\$2,066
A11204	Chair adapter D	No charge in ADS package

Options

A121532	HP Fiber optic system with 1 tubing (6 pin)	\$390
A121533	HP Fiber optic system with 2 tubings (6 pin)	\$558
A120501	ADS post mount Monitor bracket	\$666
A120401	Built-in scaler	\$530
A120403	Built in scaler with LED	\$610
A120301	Built-in curing light	\$502
A121901	Additional umbilical per foot for Beyond 300/Beyond 301	\$42/ft
A0502532	Continental dentist's control	\$278 Add
A080103	D3 Doctor stool	\$626
A080224	N4 Assistant stool	\$768
8018895	Additional 4th handpiece tubing	\$218
A121963	Bien Air MCX Built In System without touchpad	\$3,242
A121973	Bien Air MCX Built In System with touchpad	\$4,632
91800C	Comfort kit (Heating, Massage)	\$1,260 Add

	Packing Dimensions (L*W*H)	Weight
Chair	48.1*32.3*37.6"	346 lbs
Upholstery	50.4*9.3*25"	17.6 lbs
Beyond Dentist's Control	30.8*23.1*14.1"	44 lbs
Swing mount assistant vacuum package	33.9*30.8*8"	49 lbs
Beyond Junction box	19.4*17.8*8.8"	19 lbs
Dental Light	31.1*18.1*7.1"	20.6 lbs

AJ18 Beyond 401



Options



Continental dentist's control
Part number: A0502532



HP Fiber optic system with 1 tubing (6 pin)
Part number: A121532



Comfort kit (Heating, Massage)
Part number: 91800C

Standard Features

- AJ18 hydraulic chair with Comfort kit,
- With 3 programmable positions,
- Double articulating headrest,
- Swing up/down iron armrest,
- Cast iron chair frame,
- Iron backrest stand,
- Cast aluminum base,
- Wide backrest, upgraded fiber leather,
- 60 degrees seat rotation, chair safety switch,
- One touchpad, Foot control
- Swing Beyond dentist's control head, Standard touchpad,
- Cast aluminium delivery head base, double pivot delivery head,
- 3 auto H.P. control,
- Individual water coolant controls,
- Master handpiece air coolant adjustment,
- Asepsis handpiece tubing,
- Master on/off switch, 1 doctor syringe
- Wet/Dry foot control,
- Stainless steel tray with non-slip pad,
- City/bottled water system, 5 ft umbilical,
- Chair mounted swing rear cuspidor and assistant vacuum package,
- Assistant touchpad, Water outlet and air QD on assistant tray,
- Solids collector, 2 HVE, 1SE, 1 syringe
- Swing mount LED light with sensor control, 3 level intensity adjustment

Operatory System

Part number	Description	Retail Price
A9184012	AJ18 Beyond401 Left/Right Swing Operatory Package with cuspidor	\$21,083

Package includes

A091803	AJ18 Hydraulic Chair with comfort kit AJ18 wide backrest hydraulic chair with 3 programmable positions and Nappa leather	\$11,514
A0724015	Beyond401 Delivery system with AJ18 Junction box Beyond 401 Left/Right Swing Luxury Delivery System with 3 auto HP control, dentist touchpad, bottled water system, Swing mount side box, cuspidor and assistant vac pac with 2HVE, 1SE and 1 syringe, assistant touchpad.	\$7,503
A05025501	<ul style="list-style-type: none"> Beyond Swing mount dentist's control with AJ18 Junction box Swing Beyond dentist's control head, Standard touchpad, Cast aluminium delivery head base, double pivot delivery head, 3 auto H.P.control, 1 doctor syringe, Wet/Dry foot control, Stainless steel tray, City/bottled water system, 5 ft umbilical, Junction box with valves 	\$4,666
A0402400	<ul style="list-style-type: none"> Classic201/Beyond401 Swing mount cuspidor and assistant vacuum package Chair mounted swing rear cuspidor and assistant vacuum package, 2 HVE, 1 SE, 1 syringe 	\$2,837
A0602673	Swing mount Amber II LED light Swing mount touchless sensor Amber II LED Dental Light with 24" light post and swing compass arm	\$2,066
A11206	Chair adapter E	No charge in ADS package

Options

A121532	HP Fiber optic system with 1 tubing (6 pin)	\$390
A121533	HP Fiber optic system with 2 tubings (6 pin)	\$558
A120501	ADS post mount Monitor bracket	\$666
A120401	Built-in scaler	\$530
A120403	Built in scaler with LED	\$610
A120301	Built-in curing light	\$502
A121918	Additional umbilical per foot for Beyond 201/Beyond 401	\$42/ft
A0502532	Continental dentist's control	\$278 Add
A080103	D3 Doctor stool	\$626
A080224	N4 Assistant stool	\$768
8018895	Additional 4th handpiece tubing	\$218
A121963	Bien Air MCX Built In System without touchpad	\$3,242
A121973	Bien Air MCX Built In System with touchpad	\$4,632
91800C	Comfort kit (Heating, Massage)	\$1,260 Add

	Packing Dimensions (L*W*H)	Weight
Chair	48.1*32.3*37.6"	346 lbs
Upholstery	50.4*9.3*25"	17.6 lbs
Beyond Dentist's Control	30.8*23.1*14.1"	44 lbs
Swing mount assistant vacuum package	33.9*30.8*8"	44 lbs
Beyond Junction box	19.4*17.8*8.8"	19 lbs
Dental Light	31.1*18.1*7.1"	20.6 lbs

Operatory Packages

AJ18 Ultima 800

(Starts in June 2026)



Options



HP Fiber optic system
with 1 tubing (6 pin)
Part number: A121532

Standard Features

- AJ18 hydraulic chair with Comfort kit,
- With 3 programmable positions,
- Double articulating headrest,
- Swing up/down iron armrest,
- Cast iron chair frame,
- Iron backrest stand,
- Cast aluminum base,
- Wide backrest, upgraded fiber leather,
- 60 degrees seat rotation, chair safety switch,
- One touchpad, Foot control
- Chair mounted swing rear assistant vacuum package
- 4 Individual hangers & rotatable assistant touchpad
- Solids collector, 2 HVE, 1SE, 1 syringel
- Swing mount LED light with sensor control, 3 level intensity adjustment
- Swing Ultimate dentist's control head
- Integrated touchpad controls, with a 3.2-inch LCD screen
- Cast aluminium delivery head base, with 3 auto H.P. control
- Individual water coolant controls
- Master handpiece air coolant adjustment, Asepsis handpiece tubing
- Master on/off switch, 1 doctor syringe
- Wet/Dry foot control, Stainless steel tray with non-slip pad
- City/bottled water system, 5 ft umbilical
- Junction box with air/water filters, regulators, master shut-off valves.

Operator System

Part number	Description	Retail Price
A9188002	AJ18 Ultima 800 Left/Right Swing Operatory Package	\$22,280

Package includes

A091803	AJ18 Hydraulic Chair with Comfort kit AJ18 wide backrest hydraulic chair with 3 programmable positions and Nappa leather	\$11,514
A0738001	Ultima 800 delivery system Ultima 800 Left/Right Swing Delivery System with 3 auto HP control, dentist touchpad, bottled water system, Swing assistant vac pac with 2HVE, 1SE and 1 syringe, assistant touchpad.	\$8,100
A0502570	<ul style="list-style-type: none"> • Ultima Swing mount dentist's control Swing Ultima dentist's control head, Standard touchpad, Cast aluminium delivery head base, double pivot delivery head, 3 auto H.P.control, 1 doctor syringe, Wet/Dry foot control, Stainless steel tray, City/bottled water system, 5 ft umbilical, Junction box with valves 	\$5,800
A0331800	<ul style="list-style-type: none"> • Ultima 800 Swing mount assistant vacuum package Chair mounted swing rear assistant vacuum package, Assistant touchpad, 2 HVE, 1SE, 1 syringe 	\$2,300
A0603602	Swing mount Hubble II LED light Swing mount touchless sensor Hubble II LED Dental Light with 24" light post and swing compass arm	\$2,666
A11214	Chair adapter N	No charge in ADS package

Options

A121532	HP Fiber optic system with 1 tubing (6 pin) -----	\$468
A121533	HP Fiber optic system with 2 tubings (6 pin) -----	\$670
A120501	ADS post mount Monitor bracket -----	\$799
A120403	Built in scaler with LED -----	\$732
A120301	Built-in curing light -----	\$602
A121901	Additional umbilical per foot ----- for Beyond 300/Beyond 301	\$50/ft
A080103	D3 Doctor stool -----	\$657
A080224	N4 Assistant stool -----	\$806
8018895	Additional 4th handpiece tubing -----	\$262
A121963	Bien Air MCX Built In System without touchpad ---	\$3,890
A121973	Bien Air MCX Built In System with touchpad -----	\$5,558

	Packing Dimensions (L*W*H)	Weight
Chair	48.1*32.3*37.6"	346 lbs
Upholstery	50.4*9.3*25"	17.6 lbs
Beyond Dentist's Control	30.8*23.1*14.1"	44 lbs
Swing mount assistant vacuum package	33.9*30.8*8"	49 lbs
Beyond Junction box	19.4*17.8*8.8"	19 lbs
Dental Light	31.1*18.1*7.1"	20.6 lbs

Operatory Packages

AJ18 Ultima 801

(Starts in June 2026)



Options



HP Fiber optic system
with 1 tubing (6 pin)
Part number: A121532

Standard Features

- AJ18 hydraulic chair with Comfort kit,
- With 3 programmable positions,
- Double articulating headrest,
- Swing up/down iron armrest,
- Cast iron chair frame,
- Iron backrest stand,
- Cast aluminum base,
- Wide backrest, upgraded fiber leather,
- 60 degrees seat rotation, chair safety switch,
- One touchpad, Foot control
- Chair mounted swing rear cuspidor and assistant vacuum package,
- Assistant touchpad, Water outlet and air QD on assistant tray,
- Solids collector, 2 HVE, 1SE, 1 syringe
- Swing mount LED light with sensor control, 3 level intensity adjustment
- Swing Ultima dentist's control head
- Integrated touchpad controls, with a 3.2-inch LCD screen
- Cast aluminium delivery head base, double pivot delivery head,
- 3 auto H.P. control,
- Individual water coolant controls,
- Master handpiece air coolant adjustment,
- Asepsis handpiece tubing,
- Master on/off switch, 1 doctor syringe
- Wet/Dry foot control,
- Stainless steel tray with non-slip pad,
- City/bottled water system, 5 ft umbilical,
- Junction box with air/water filters, regulators, master shut-off valves.

Operatory System

Part number	Description	Retail Price
A9188012	AJ18 Ultima 801 Left/Right Swing Operatory Package with cuspidor	\$23,180

Package includes

A091803	AJ18 Hydraulic Chair with Comfort Kit AJ18 wide backrest hydraulic chair with 3 programmable positions and Nappa leather	\$11,514
A0738011	Ultima 801 Delivery system Ultima 801 Left/Right Swing Luxury Delivery System with 3 auto HP control, dentist touchpad, bottled water system, Swing mount side box, cuspidor and assistant vac pac with 2HVE, 1SE and 1 syringe, assistant touchpad.	\$9,000
A0502570	<ul style="list-style-type: none"> Ultima Swing mount dentist's control Swing Ultima dentist's control head, Standard touchpad, Cast aluminium delivery head base, double pivot delivery head, 3 auto H.P.control, 1 doctor syringe, Wet/Dry foot control, Stainless steel tray, City/bottled water system, 5 ft umbilical, Junction box with valves 	\$5,800
A0780110	<ul style="list-style-type: none"> Ultima 801 Swing mount cuspidor and assistant vacuum package Chair mounted swing rear cuspidor and assistant vacuum package, 2 HVE,1 SE,1 syringe 	\$3,200
A0603602	Swing mount Hubble II LED light Swing mount touchless sensor Hubble II LED Dental Light with 24" light post and swing compass arm	\$2,666
A11215	Chair adapter O	No charge in ADS package

Options

A121532	HP Fiber optic system with 1 tubing (6 pin) \$468
A121533	HP Fiber optic system with 2 tubings (6 pin) \$670
A120501	ADS post mount Monitor bracket \$799
A120403	Built in scaler with LED \$732
A120301	Built-in curing light \$602
A121918	Additional umbilical per foot for Beyond 201/Beyond 401 \$50/ft
A080103	D3 Doctor stool \$657
A080224	N4 Assistant stool \$806
8018895	Additional 4th handpiece tubing \$262
A121963	Bien Air MCX Built In System without touchpad \$3,890
A121973	Bien Air MCX Built In System with touchpad \$5,558

	Packing Dimensions (L*W*H)	Weight
Chair	48.1*32.3*37.6"	346 lbs
Upholstery	50.4*9.3*25"	17.6 lbs
Beyond Dentist's Control	30.8*23.1*14.1"	44 lbs
Swing mount assistant vacuum package	33.9*30.8*8"	44 lbs
Beyond Junction box	19.4*17.8*8.8"	19 lbs
Dental Light	31.1*18.1*7.1"	20.6 lbs

Hygiene Package

AJ12 Hygiene Packages



Options



Continental dentist's control
Part number:A0502532



Amber II LED light
Part number:A121715



Touch pad for Classic delivery tray
Part number:A121712



HP Fiber optic system with 1 tubing (6 pin)
Part number:A121532

Standard Features

- AJ12 Electromechanical chair with 3 programmable positions,
- Articulating headrest, Vertical forward-turning armrest
- Steel backrest stand, Steel base plate, Chair safety switch
- Wide backrest, Upgraded fiber leather
- One touchpad, Foot control
- Swing hygiene dentist's control head with 2 auto H.P. control
- Individual water coolant controls
- Master handpiece air coolant adjustment
- Asepsis handpiece tubing
- Master on/off switch, 1 doctor syringe, Wet/Dry foot control
- Stainless steel tray with non-slip pad, Flex arm air brake switch
- Solids collector
- 1HVE, 1SE, 1 scaler
- City/bottled water system, 5 ft umbilical
- Swing mount LED light with sensor control, 3 level intensity adjustment

Operatory System

Part number	Description	Retail Price
A9122051	AJ12 Hygiene Operatory Package Swing operatory package with hygiene delivery system	\$10,852

Package includes

A091201	AJ12 EL Chair Electricmechanical patient chair with 3 programmable postions and fiber leather	\$4,958
A0502527	Swing hygiene delivery system Swing Hygiene delivery system with 2 auto HP control, bottled water system, 1HVE, 1SE, 1syringe, 1 scaler	\$4,226
A0603600	Swing mount Whale LED light Swing mount touchless sensor Whale LED Dental Light with 24" light post and swing compass arm	\$1,668
A11204	Chair Adapter D	No charge in ADS package

Options

A121532	HP Fiber optic system with 1 tubing (6 pin)	\$468
A121533	HP Fiber optic system with 2 tubings (6 pin)	\$670
A121712	Touch pad for Classic delivery tray	\$602
A120501	ADS post mount Monitor bracket	\$799
A120403	Built in scaler with LED	\$732
A121974	Additional umbilical per foot for Hygiene	\$50/ft
A121715	Amber II LED light	\$399 Add
A0502532	Continental dentist's control.....	\$1166 Add
A080103	D3 Doctor stool	\$657
A080224	N4 Assistant stool	\$806

	Packing Dimensions (L*W*H)	Weight
Chair	47.6 * 30.5 * 31.3"	326 lbs
Upholstery	50.4*25 * 8.9"	27.3 lbs
Swing classic hygiene delivery system	30.7*19.5 * 12"	50.6 lbs
Dental Light	31.1*18.1*7.1"	22.6 lbs

Pediatric Packages

Pediatric Packages



AJ17 Classic100

Part number

A9171001

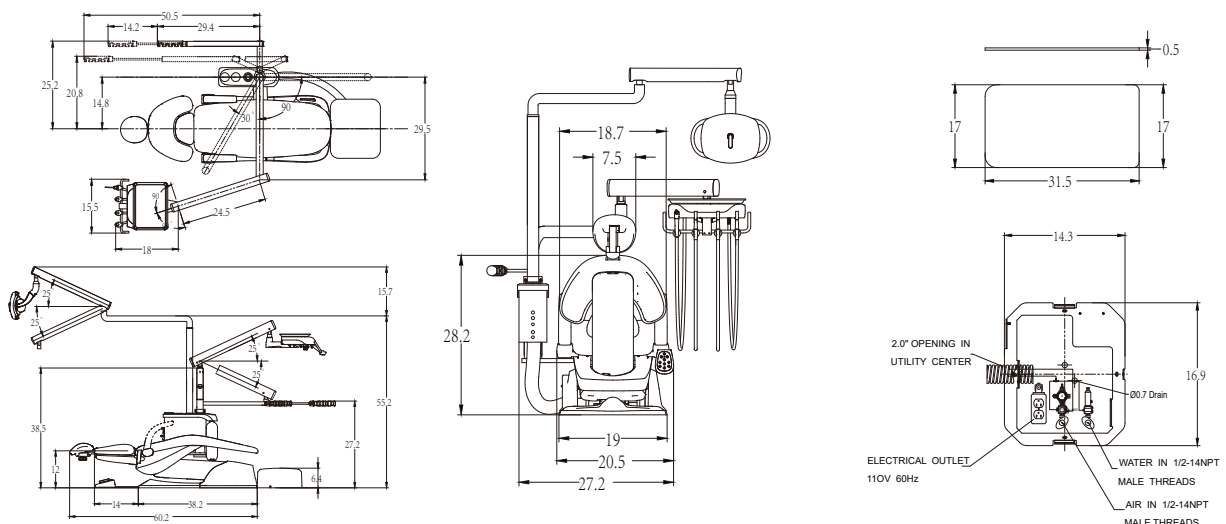
Retail Price

\$11,212

Package includes

<ul style="list-style-type: none"> • AJ17 EL Pediatric Chair Electricmechanical pediatric chair with telescoping backrest for 3-10 year old kids,3 programmable postions and fiber leather 	<p>A091701 \$5,342</p>
<ul style="list-style-type: none"> • Classic 100 delivery system Classic Over the patient (OTP) dental unit with PMU 	<p>A0711001 \$4,336</p>
<ul style="list-style-type: none"> • Classic Post mount Dentist's Control Classic dentist's control head with 3 auto H.P. control, 1 doctor syringe, Wet/Dry foot control, Stainless steel tray with non-slip pad, Rigid arm and Flex arm 	<p>A0502520 \$3,002</p>
<ul style="list-style-type: none"> • Classic100 Post Mounted Utility (PMU) Classic 100 Post mounted utility (PMU) with steel side box, City water/bottled system, Water outlet and air QD, Telescoping assistant's arm with 2 HVE, 1SE, 1 syringe, Junction box with valves 	<p>A0710010 \$1,334</p>
<ul style="list-style-type: none"> • Post mount Whale LED light Post mount touchless sensor Whale LED light with 30" light post 	<p>A0602600 \$1,334</p>
<ul style="list-style-type: none"> • Chair adapter B 	<p>A11202 No charge in ADS package</p>

Dimensions



Pediatric Packages



AJ17 Classic 101

Part number
A9171011

Retail Price
\$12,045

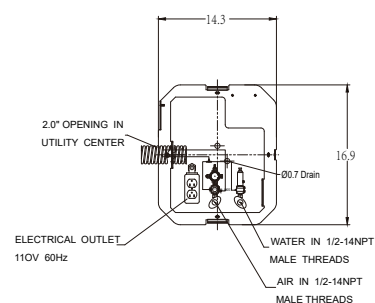
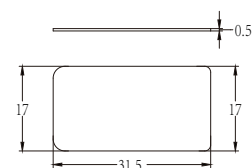
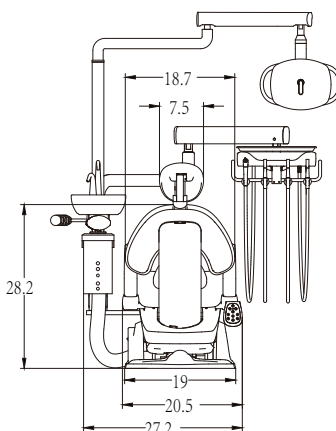
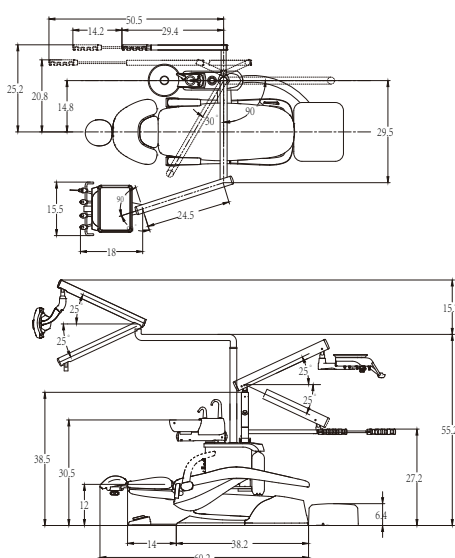


Package includes

<ul style="list-style-type: none"> • AJ17 EL Pediatric Chair Electricmechanical pediatric chair withtelescoping backrest for 3-10 year old kids,3 programmable postions and fiber leather 	<p>A091701 \$5,542</p>
<ul style="list-style-type: none"> • Classic 101 delivery system Classic Over the patient (OTP)dental unit with PMU and cuspidor 	<p>A0711011 \$5,169</p>
<p>Classic Post mount Dentist's Control Classic dentist's control head with 3 auto H.P. control, 1 doctor syringe, Wet/Dry foot control, Stainless steel tray with non-slip pad, Rigid arm and Flex arm</p>	<p>A0502520 \$3,002</p>
<p>Classic101 Post Mounted Utility (PMU) Classic 101 Post mounted tility (PMU) withcuspidor and steel side box, City water/bottled system, Water outlet and air QD, Telescoping assistant's arm with 2 HVE,1SE, 1 syringe,Junction box with valves.</p>	<p>A0710111 \$2,167</p>
<ul style="list-style-type: none"> • Post mount Whale LED light Post mount touchless sensor Whale LED light with 30" light post 	<p>A0602600 \$1,334</p>
<ul style="list-style-type: none"> • Chair adapter B 	<p>A11202 No charge in ADS package</p>

Dimensions

Unit: inch



Pediatric Packages

AJ19 Classic 100

Part number
A9191001

Retail Price
\$11,504

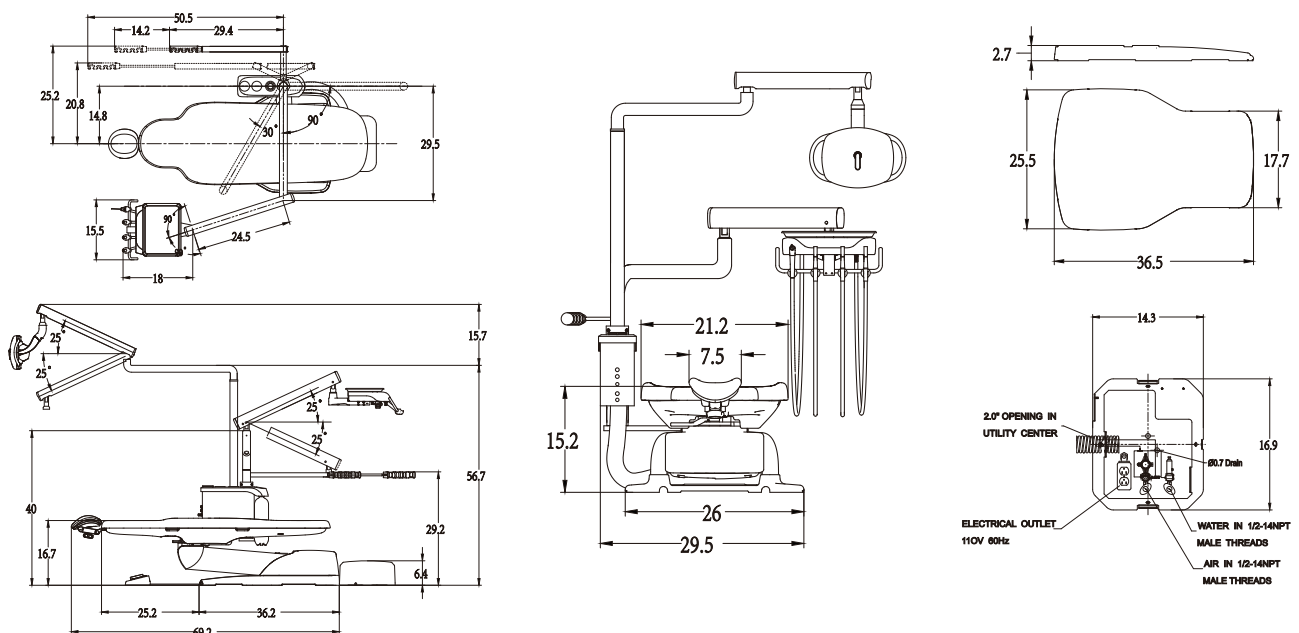


Package includes

<ul style="list-style-type: none"> • AJ19 EL Pedo Bench AJ19 Electromechanical pediatric bench with up down function, 3 programmable positions and fiber leather 	A091901 \$5,834
<ul style="list-style-type: none"> • Classic 100 delivery system Classic Over the patient (OTP) dental unit with PMU 	A0711001 \$4,336
<ul style="list-style-type: none"> • Classic Post mount Dentist's Control Classic dentist's control head with 3 auto H.P. control, 1 doctor syringe, Wet/Dry foot control, Stainless steel tray with non-slip pad, Rigid arm and Flex arm 	A0502520 \$3,002
<ul style="list-style-type: none"> • Classic100 Post Mounted Utility (PMU) Classic 100 Post mounted utility (PMU) with steel side box, City water/bottled system, Water outlet and air QD, Telescoping assistant's arm with 2 HVE, 1SE, 1 syringe, Junction box with valves 	A0710010 \$1,334
<ul style="list-style-type: none"> • Post mount Whale LED light Post mount touchless sensor Whale LED light with 30" light post 	A0602600 \$1,334
<ul style="list-style-type: none"> • Chair adapter B 	A11202 No charge in ADS package

Dimensions

Unit: inch



Pediatric Packages

AJ19 Classic 101

Part number

A9191011

Retail Price

\$12,337



Package includes

AJ19 EL Pedo Bench

AJ19 Electromechanical pediatric bench with up down function, 3 programmable positions and fiber leather

A091901
\$5,834

Classic 101 delivery system

Classic Over the patient (OTP) dental unit with PMU

A0711011
\$5,169

Classic Post mount Dentist's Control

Classic dentist's control head with 3 auto H.P. control, 1 doctor syringe, Wet/Dry foot control, Stainless steel tray with non-slip pad, Rigid arm and Flex arm

A0502520
\$3,002

Classic101 Post Mounted Utility (PMU)

Classic 101 Post mounted utility (PMU) with cuspidor and steel side box, City water/bottled system, Water outlet and air QD, Telescoping assistant's arm with 2 HVE, 1SE, 1 syringe, Junction box with valves

A0710111
\$2,167

Post mount Whale LED light

Post mount touchless sensor Whale LED light with 30" light post

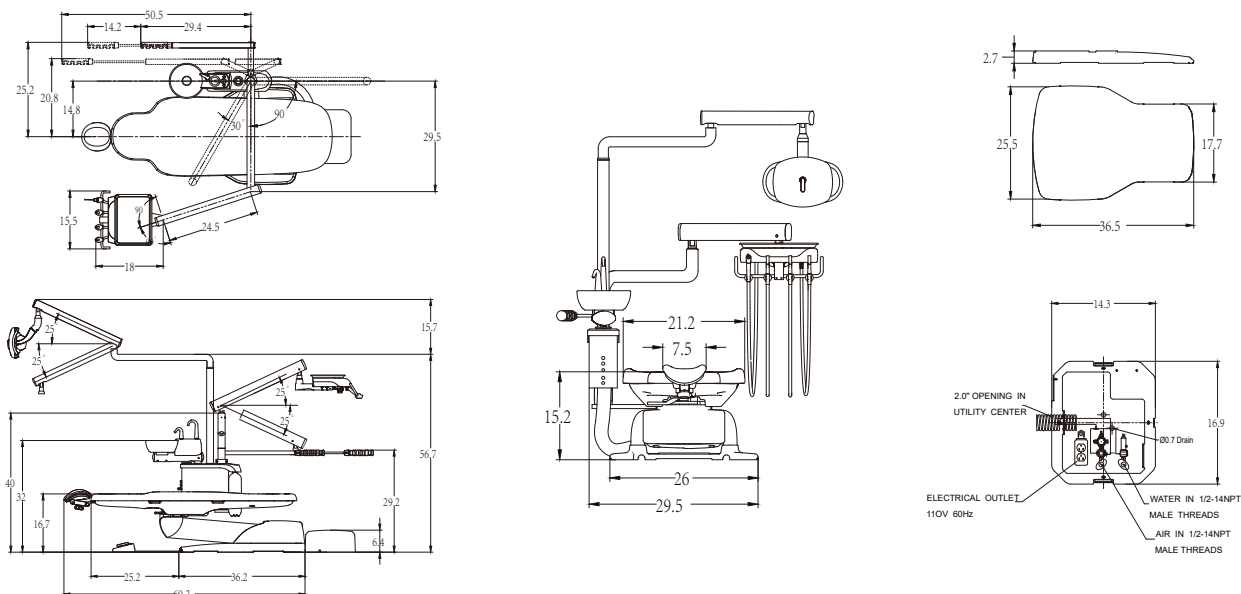
A0602600
\$1,334

Chair adapter B

A11202
No charge in ADS package

Dimensions

Unit: inch



Pediatric Packages

Child Cushion



Part number Retail Price
A084120 **\$432**

Neck & Back Cushion Set



Part number Retail Price
A085120 **\$432**

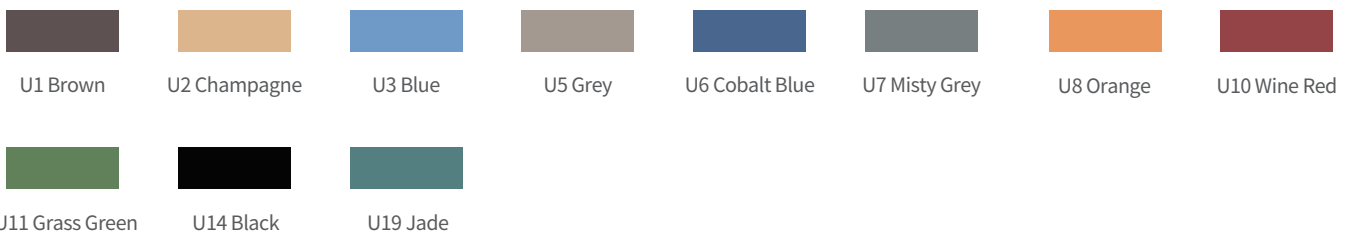
Standard Features

Making pediatric dentistry easier than ever.
 Tracking Cushion
 Cushion moves with chair back keeping head in position
 Adjustable Strap
 Allows cushion to fit on any chair
 Boosting care and comfort for young patients

Standard Features

Ergonomic design;
 Everlasting comfort for lumbar and cervical support;
 Made from superior quality memory foam and exceptional upholstery

Upholstery Color Selections



Options

AJ15 Dental Chair Arm Slings

Part number Retail Price
A144200 **\$379/pair**



Armrest cover upholstery for AJ16

Part number Retail Price
8602759B **\$252/pair**



ORTHODONTIC CHAIR AND CART



AJ12 Fixed Base Ortho chair



AJ12 Ortho Chair

AJ12 Fixed Base Ortho Chair

Options



Amber II LED light

Part number	Retail Price
<u>A121715</u>	<u>\$399Add</u>



AJ12 Ponytail headrest

Part number	Retail Price
<u>A121968</u>	<u>\$281 Add</u>

Standard Features

AJ12 Fixed Base Chair
Articulating Headrest

- Steel backrest stand
- Steel base
- Integrated foot switch
- One touchpad

Post mount LED light with sensor control
3 level intensity adjustment

Operatory System

Part number	Description	Retail Price
A0912015	AJ12 Fixed Base Ortho Chair without light	\$2,730
A0912014	AJ12 Fixed Base Ortho Chair with light	\$4,398

Package includes

A0912014	AJ12 Fixed base Ortho Chair with light	\$4,398
A0912015	<ul style="list-style-type: none"> • AJ12 Fixed Base Ortho Chair Fixed base patient chair and fiber leather 	\$2,730
A0604601	<ul style="list-style-type: none"> • Post mount Whale LED light with 40" light post and chair adapter Post mount touchless sensor Whale LED light with 40" light post 	\$1,668

Orthodontic Chair and Cart

AJ12 EL Ortho Chair



Options



Amber II LED light

Part number	Retail Price
A121715	\$399 Add



AJ12 Ponytail headrest

Part number	Retail Price
A121968	\$281 Add

Standard Features

AJ12 Electromechanical chair with 3 programmable positions, Articulating headrest, Steel backrest stand, Steel base plate, Chair safety switch, One touchpad, Foot control

- Post mount LED light with sensor control
- 3 level intensity adjustment

Operatory System

Part number	Description	Retail Price
A9120021	AJ12 EL Ortho Chair	\$6,626

Package includes

A091201	AJ12 chair Electromechanical patient chair with 3 programmable postions and fiber leather	\$4,958
A0604601	Post mount Whale LED light with 40" light post and chair adapter	\$1,668

Orthodontic Chair and Cart

Large Orthodontic Mobile Cart OC-2



Part number
A0504552

Retail Price
\$5,333

Free Standing Large Orthodontic Cart OC-2



Part number
A0505552

Retail Price
\$5,333

Standard Features

Solid surface table,
Orthodontic cart
With 3 auto H.P.control,
Master on/off switch,
1 syringe,1HVE,1SE,
Self contained water bottle system,

- Wet/Dry foot control,
- 5 drawers,
- Integrated junction box and valves,
- 8' umbilical,
- 5 Hole Plug
- Cart body color: RAL9003

Self-Contained Large Orthodontic Mobile Cart OC-2

Part number
A0504557

Retail Price
\$5,964



Standard Features

With vacuum source and sewage collection bottle
With positive pressure air supply filtration system
Collectable foot control

Specifications

- Voltage: AC110 50/60HZ
- Power: 600W
- Compressor Air FLOW: $\geq 50L/min$
- Compressor Air pressure: 0.55Mpa
- NOISE: 40db
- Size: 30.7*27.2*33"

Orthodontic Chair and Cart

Small Orthodontic Mobile Cart OC-3



Part number
A0504553

Retail Price
\$4,001

Free Standing Small Orthodontic Cart OC-3



Part number
A0505553

Retail Price
\$4,001



Standard Features

- Solid surface table,
- Orthodontic mobile cart
- with 3 auto H.P.control,
- Master on/off switch,
- 1 syringe,1HVE,1SE,
- Self contained water bottle system,
- Wet/Dry foot control,
- 5 drawers,
- Junction box and valves,
- 8' umbilical,
- 5 Hole Plug

Options

Monitor Bracket

Vertical and horizontal travel,
4-way pivot adjustment
standard 3"spacing, 1 Year
warranty

Part number
A120502

Retail Price
\$799



	Packing Dimensions (L*W*H)	Weight
Enlarged Orthodontic Mobile Cart OC-2	33*30*39"	213 lbs
Free Standing Enlarged Orthodontic Cart OC-2	33*30*39"	229.3 lbs
Smaller Orthodontic Mobile Cart OC-3	33*30*39"	148 lbs
Free Standing Smaller Orthodontic Cart OC-3	33*30*39"	128.7 lbs

Delivery System

OTP Delivery System

Swing Delivery System

Post Mount Doctor's System

Cabinet/Wall Side Mount Doctor's System

Rear Delivery System

Mobile Cart

Portable Delivery System



Delivery System

Classic 100 Delivery System



Part number
A0711001

Retail Price
\$4,336

Description	Part number	Retail Price
 <p>Classic Post mount Dentist's Control Classic dentist's control head with 3 auto H.P. control, Individual water coolant controls, Master handpiece air coolant adjustment, Asepsis handpiece tubing, Master on/off switch, 1 doctor syringe, Wet/Dry foot control, Stainless steel tray with non-slip pad, Flex arm air brake switch</p>	A0502520	\$3,002
 <p>Classic 100 Post Mounted Utility (PMU) Classic 100 Post mounted utility (PMU) with steel side box, City water/bottled system, Water outlet and air QD, Solids collector, 2 HVE, 1SE, 1 syringe on telescoping assistant's control, Junction box with air/water filters, regulators, master shut-off valves, 5 ft. umbilical</p>	A0710010	\$1,334

Options

A121532	HP Fiber optic system with 1 tubing (6 pin)	\$468	A121915	Additional umbilical per foot for Classic 100	\$50/ft
A121533	HP Fiber optic system with 2 tubings (6 pin)	\$670	A121916	Additional umbilical per foot for Classic 101	\$50/ft
A121712	Touch pad for Classic delivery tray	\$602	A0502532	Continental dentist's control	\$1166 Add
A120501	ADS Monitor bracket	\$799	8018895	Additional 4th handpiece tubing for Classic dentist's control	\$262
A11202	Chair adapter for Classic 100 / Classic 101	\$502	A121963	Bien Air MCX Built In System without touchpad	\$3,890
A120403	Built in scaler with LED	\$732	A121973	Bien Air MCX Built In System with touchpad	\$5,558
A120301	Built-in curing light	\$602			

Delivery System

Classic 101 Delivery System



Part number
A0711011

Retail Price
\$5,169

Description

Part number

Retail Price


Classic Post mount Dentist's Control

Classic dentist's control head with 3 auto H.P. control, Individual water coolant controls, Master handpiece air coolant adjustment, Asepsis handpiece tubing, Master on/off switch, 1 doctor syringe, Wet/Dry foot control, Stainless steel tray with non-slip pad, Flex arm air brake switch

A0502520

\$3,002

Classic101 Post Mounted Utility (PMU)

Classic 101 Post mounted utility (PMU) with cuspidor and steel side box, City water/ bottled system, Water outlet and air QD, Solids collector, 2 HVE, 1SE, 1 syringe on telescoping assistant's control, Junction box with air/water filters, regulators, master shut-off valves, 5 ft. umbilical

A0710111

\$2,167

Options

A121532	HP Fiber optic system with 1 tubing (6 pin)	\$468	A121915	Additional umbilical per foot for Classic 100	\$50/ft
A121533	HP Fiber optic system with 2 tubings (6 pin)	\$670	A121916	Additional umbilical per foot for Classic 101	\$50/ft
A121712	Touch pad for Classic delivery tray	\$602	A0502532	Continental dentist's control	\$1166 Add
A120501	ADS Monitor bracket	\$799	8018895	Additional 4th handpiece tubing	\$262
A11202	Chair adapter for Classic 100 / Classic 101	\$502		for Classic dentist's control	
A120403	Built in scaler with LED	\$732	A121963	Bien Air MCX Built In System	\$3,890
A120301	Built-in curing light	\$602		without touchpad	
			A121973	Bien Air MCX Built In System with touchpad...	\$5,558

Delivery System

Beyond 300 Delivery System



Part number
A0723002

Retail Price
\$5,335

Description	Part number	Retail Price
	<p>Beyond Post mount Dentist's Control Beyond luxury dentist's control head, Cast aluminium delivery head base, double pivot delivery head, with 3 auto H.P.control, Individual water coolant controls, Master handpiece air coolant adjustment, Asepsis handpiece tubing, Master on/off switch, 1 doctor syringe, Wet/Dry foot control, Stainless steel tray with non-slip pad, Flex arm air brake switch, Porcelain cuspidor bowl with strainer, Cup fill & Bowl rinse toggles.</p>	<p>A0502550 \$3,833</p>
	<p>Beyond 300 Post Mounted Utility (PMU) Beyond 300 Post mounted utility (PMU) with silver side box, City water/bottled system, Water outlet and air QD, Swing assistant tray with touchpad, Solids collector, 2 HVE, 1SE, 1 syringe, Aluminium base Junction box with air/water filters, regulators, master shut-off valves, 5 ft. umbilical</p>	<p>A0730020 \$1,502</p>

Options

A121532	HP Fiber optic system with 1 tubing (6 pin)	\$468	A120403	Built in scaler with LED	\$732
A121533	HP Fiber optic system with 2 tubings (6 pin)	\$670	A120301	Built-in curing light	\$602
A121713	Touch Pad For Beyond delivery tray	\$602	A121901	Additional umbilical per foot for Beyond300/Beyond301	\$50/ft
A120501	ADS Monitor bracket	\$799	A121963	Bien Air MCX Built In System without touchpad	\$3,890
A0502532	Continental dentist's control	\$333 Add	A121973	Bien Air MCX Built In System with touchpad..	\$5,558
8018895	Additional 4th handpiece tubing for Beyond dentist's control	\$262			

Delivery System

Beyond 301 Delivery System



Part number
A0723012

Retail Price
\$6,168

	Description	Part number	Retail Price
	Beyond Post mount Dentist's Control Beyond luxury dentist's control head, Cast aluminium delivery head base, double pivot delivery head, with 3 auto H.P.control, Individual water coolant controls, Master handpiece air coolant adjustment, Asepsis handpiece tubing, Master on/off switch,1 doctor syringe, Wet/Dry foot control, Stainless steel tray with non-slip pad, Flex arm air brake switch, Porcelain cuspidor bowl with strainer, Cup fill & Bowl rinse toggles.	A0502550	\$3,833
	Beyond 301 Post Mounted Utility (PMU) Beyond 301 Post mounted utility (PMU) with cuspidor and silver side box, City water/ bottled system, Water outlet and air QD, Swing assistant tray with touchpad, Solids collector, 2 HVE,1SE,1 syringe, Alumium base Junction box with air/water filters, regulator, master shut-off valves, 5 ft. umbilical	A0730121	\$2,335

Options

A121532	HP Fiber optic system with 1 tubing (6 pin)	\$468	A120403	Built in scaler with LED	\$732
A121533	HP Fiber optic system with 2 tubings (6 pin)	\$670	A120301	Built-in curing light	\$602
A121713	Touch Pad For Beyond delivery tray	\$602	A121901	Additional umbilical per foot for	\$50/ft
A120501	ADS Monitor bracket	\$799		Beyond300/Beyond301	
A0502532	Continental dentist's control	\$333 Add	A121963	Bien Air MCX Built In System	\$3,890
8018895	Additional 4th handpiece tubing	\$262		without touchpad	
	for Beyond dentist's control		A121973	Bien Air MCX Built In System with touchpad...	\$5,558



Delivery System

Classic 200 Left/Right Swing Delivery System



Part number
A0712003

Retail Price
\$5,335

	Description	Part number	Retail Price
	Classic Swing mount Dentist's Control Swing Classic dentist's control head with 3 auto H.P. control, Individual water coolant controls, Master handpiece air coolant adjustment, Asepsis handpiece tubing, Master on/off switch, 1 doctor syringe, Wet/Dry foot control, Stainless steel tray with non-slip pad, City/bottled water system, 5 ft umbilical, Junation box with air/water filters, regulators, master shut-off valves,	A0502521	\$3,833
	Swing mount assistant vacuum package Chair mounted swing rear assistant vacuum package, Water outlet and air QD on assistant tray, Solids collector, 2 HVE, 1SE, 1 syringe	A0332303	\$1,502

Options

A121532	HP Fiber optic system with 1 tubing (6 pin)	\$468	A121902	Additional umbilical per foot for Classic 200	\$50/ft
A121533	HP Fiber optic system with 2 tubings (6 pin)	\$670	A0502532	Continental dentist's control	\$1166 Add
A121712	Touch pad for Classic delivery tray	\$602	8018895	Additional 4th handpiece tubing	\$262
A120501	ADS Monitor bracket	\$799		for Classic dentist's control	
A11202	Chair adapter for for Classic 100 / Classic 101	\$502	A121963	Bien Air MCX Built In System	\$3,890
A120403	Built in scaler with LED	\$732		without touchpad	
A120301	Built-in curing light	\$602	A121973	Bien Air MCX Built In System with touchpad ...	\$5,558



Delivery System

Classic 201 Left/Right Swing Delivery System



Part number
A0712011

Retail Price
\$6,670

Description	Part number	Retail Price
 <p>Classic Swing mount Dentist's Control Swing Classic dentist's control head with 3 auto H.P. control, Individual water coolant controls, Master handpiece air coolant adjustment, Asepsis handpiece tubing, Master on/off switch, 1 doctor syringe, Wet/Dry foot control, Stainless steel tray with non-slip pad, City/bottled water system, 5 ft umbilical, Junation box with air/water filters, regulators, master shut-off valves,</p>	A0502521	\$3,833
 <p>Classic/Beyond Swing mount cuspidor and assistant vacuum package Chair mounted swing rear cuspidor and assistant vacuum package, 2 HVE, 1 SE, 1 syringe</p>	A0402400	\$2,837

Options

A121532	HP Fiber optic system with 1 tubing (6 pin)	\$468	A121902	Additional umbilical per foot for Classic 201	\$50/ft
A121533	HP Fiber optic system with 2 tubings (6 pin)	\$670	A0502532	Continental dentist's control	\$1166 Add
A121712	Touch pad for Classic delivery tray	\$602	8018895	Additional 4th handpiece tubing	\$262
A120501	ADS Monitor bracket	\$799	A121963	Bien Air MCX Built In System	\$3,890
A11202	Chair adapter for for Classic 100 / Classic 101	\$502		without touchpad	
A120403	Built in scaler with LED	\$732	A121973	Bien Air MCX Built In System with touchpad	\$5,558
A120301	Built-in curing light	\$602			



Delivery System

Beyond 400 Left/Right Swing Delivery System



Part number
A0724003

Retail Price
\$6,668

	Description	Part number	Retail Price
	<p>Beyond Swing mount dentist's control Swing Beyond dentist's control head, Standard touchpad, Cast aluminium delivery head base, double pivot delivery head, 3 auto H.P. control, Individual water coolant controls, Master handpiece air coolant adjustment, Asepsis handpiece tubing, Master on/off switch, 1 doctor syringe, Wet/Dry foot control, Stainless steel tray with non-slip pad, City/bottled water system, 5 ft umbilical, Junction box with air/water filters, regulators, master shut-off valves,</p>	A0502551	\$4,666
	<p>Beyond Swing mount assistant vacuum package Chair mounted swing rear assistant vacuum package, Assistant touchpad, Water outlet and air QD on assistant tray, Solids collector, 2 HVE, 1SE, 1 syringe</p>	A0332302	\$2,002

Options



A121532	HP Fiber optic system with 1 tubing (6 pin)	\$468	A120403	Built in scaler with LED	\$732
A121533	HP Fiber optic system with 2 tubings (6 pin)	\$670	A120301	Built-in curing light	\$602
A121713	Touch Pad For Beyond delivery tray	\$602	A121902	Additional umbilical per foot for	\$50/ft
A120501	ADS Monitor bracket	\$799		Beyond300/Beyond301	
A0502532	Continental dentist's control	\$333 Add	A121963	Bien Air MCX Built In System	\$3,890
8018895	Additional 4th handpiece tubing	\$262		without touchpad	
	for Beyond dentist's control		A121973	Bien Air MCX Built In System with touchpad...	\$5,558

Delivery System

Beyond 401 Left/Right Swing Delivery System


 Part number
A0724012

 Retail Price
\$7,503

Description	Part number	Retail Price
 <p>Beyond Swing mount dentist's control Swing Beyond dentist's control head, Standard touchpad, Cast aluminium delivery head base, double pivot delivery head, 3 auto H.P. control, Individual water coolant controls, Master handpiece air coolant adjustment, Asepsis handpiece tubing, Master on/off switch, 1 doctor syringe, Wet/Dry foot control, Stainless steel tray with non-slip pad, City/bottled water system, 5 ft umbilical, Junction box with air/water filters, regulators, master shut-off valves,</p>	A0502551	\$4,666
 <p>Classic/Beyond Swing mount cuspidor and assistant vacuum package Chair mounted swing rear cuspidor and assistant vacuum package, 2 HVE, 1SE, 1syringe</p>	A0402400	\$2,837

Options

A121532	HP Fiber optic system with 1 tubing (6 pin)	\$468	A120403	Built in scaler with LED	\$732
A121533	HP Fiber optic system with 2 tubings (6 pin)	\$670	A120301	Built-in curing light	\$602
A121713	Touch Pad For Beyond delivery tray	\$602	A121902	Additional umbilical per foot for Beyond400/Beyond401	\$50/ft
A120501	ADS Monitor bracket	\$799	A121963	Bien Air MCX Built In System without touchpad	\$3,890
A0502532	Continental dentist's control	\$333 Add	A121973	Bien Air MCX Built In System with touchpad...	\$5,558
8018895	Additional 4th handpiece tubing for Beyond dentist's control	\$262			

Delivery System

Classic Post Mount Doctor's System



Standard Features

Classic dentist's control head with 3 auto H.P. control,
 Individual water coolant controls,
 Master handpiece air coolant adjustment,
 Asepsis handpiece tubing,
 Master on/off switch,
 1 doctor syringe,
 Wet/Dry foot control,
 Stainless steel tray with non-slip pad,
 Flex arm air brake switch,
 24" rigid arm,
 2" diameter post mount clamp
 Junction box with valves

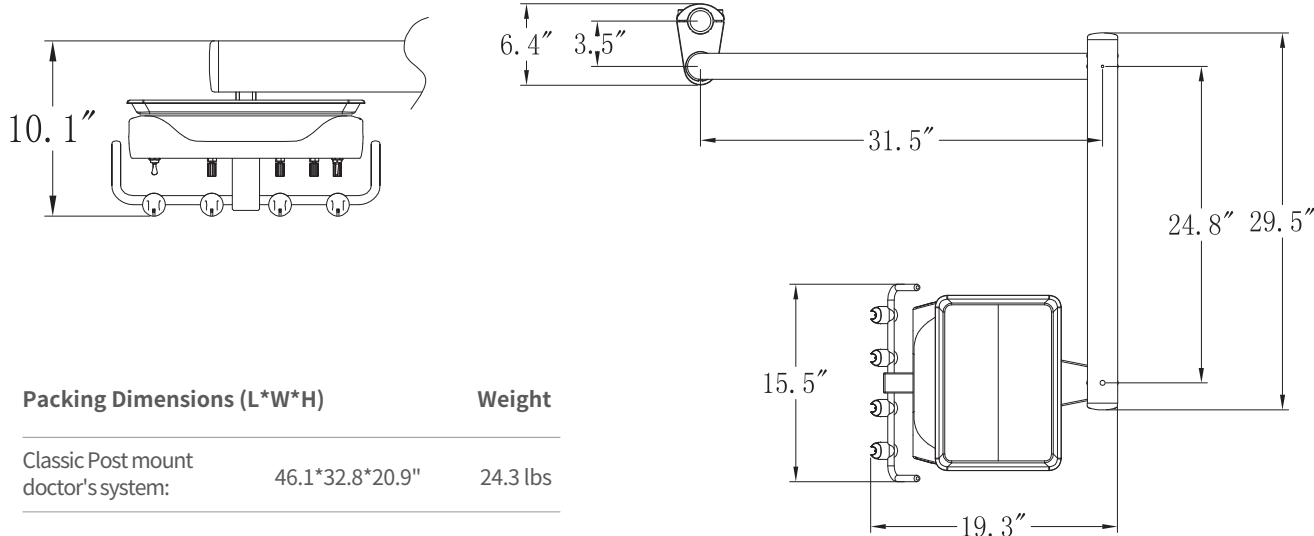
Part number	Retail Price
A0502523	\$3,168

Options

A121532	HP Fiber optic system with 1 tubing (6 pin)	\$468	8018895	Additional 4th handpiece tubing for Classic dentist's control	\$262
A121533	HP Fiber optic system with 2 tubings (6 pin)	\$670	A121963	Bien Air MCX Built In System without touchpad	\$3,890
A120403	Built in scaler with LED	\$732	A121973	Bien Air MCX Built In System with touchpad	\$5,558

Dimensions

Unit: inch



Beyond Post Mount Doctor's System



Standard Features

Beyond luxury dentist's control head,
 Cast aluminium delivery head base,
 double pivot delivery head,
 with 3 auto H.P. control,
 Individual water coolant controls,
 Master handpiece air coolant adjustment,
 Asepsis handpiece tubing,
 Master on/off switch,
 1 doctor syringe,
 Wet/Dry foot control,
 Stainless steel tray with non-slip pad,
 Flex arm air brake switch,
 24" rigid arm, 2" diameter post mount clamp
 Junction box with valves

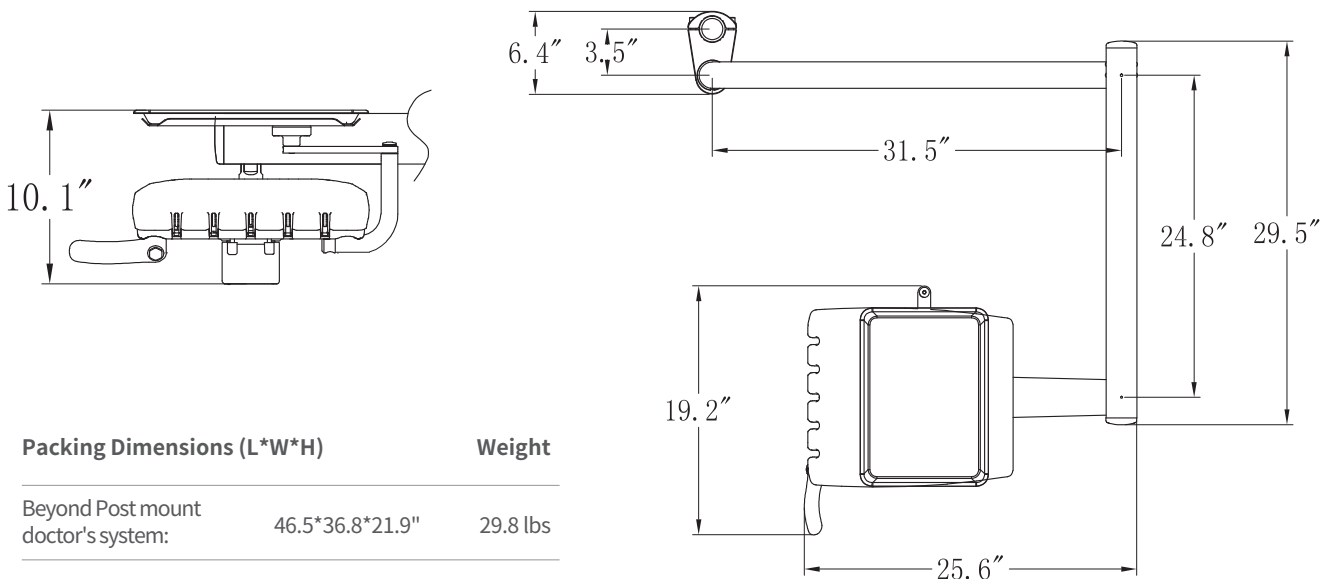
Part number	Retail Price
A0502553	\$4,001

Options

A121532	HP Fiber optic system with 1 tubing (6 pin)	\$468	8018895	Additional 4th handpiece tubing	\$262
A121533	HP Fiber optic system with 2 tubings (6 pin)	\$670		for Beyond dentist's control	
A120403	Built in scaler with LED	\$732	A121963	Bien Air MCX Built In System without touchpad	\$3,890
			A121973	Bien Air MCX Built In System with touchpad	\$5,558

Dimensions

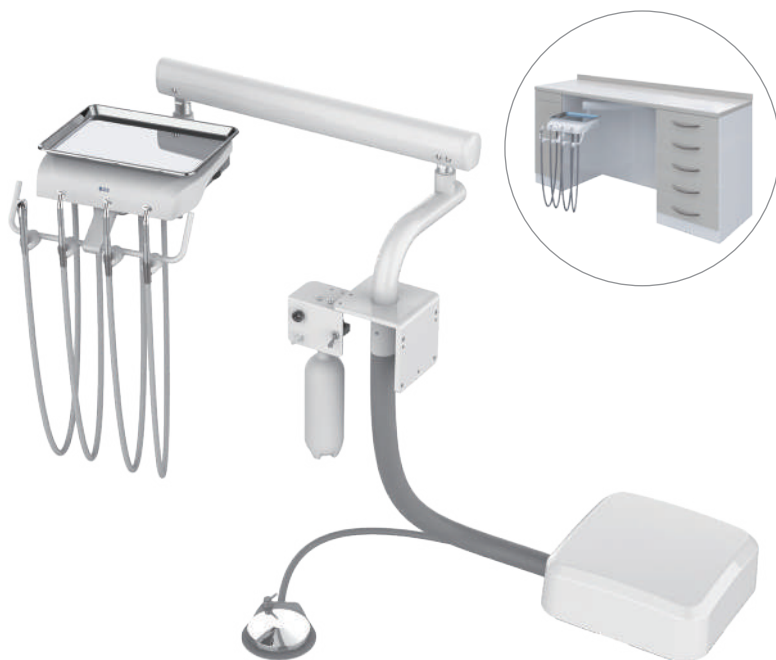
Unit: inch



Packing Dimensions (L*W*H)	Weight
Beyond Post mount doctor's system: 46.5*36.8*21.9"	29.8 lbs

Delivery System

Classic Cabinet/Wall Side Mount Doctor's Delivery System (CABINET NOT INCLUDED)



Standard Features

Classic dentist's control head with 3 auto H.P. control, Individual water coolant controls, Master handpiece air coolant adjustment, Asepsis handpiece tubing, Master on/off switch, 1 doctor syringe, Wet/Dry foot control, Stainless steel tray with non-slip pad, Flex arm air brake switch, 24" rigid arm, 2" diameter post mount clamp
airwater filters, regulators, master shut-off valves
City water/bottled system

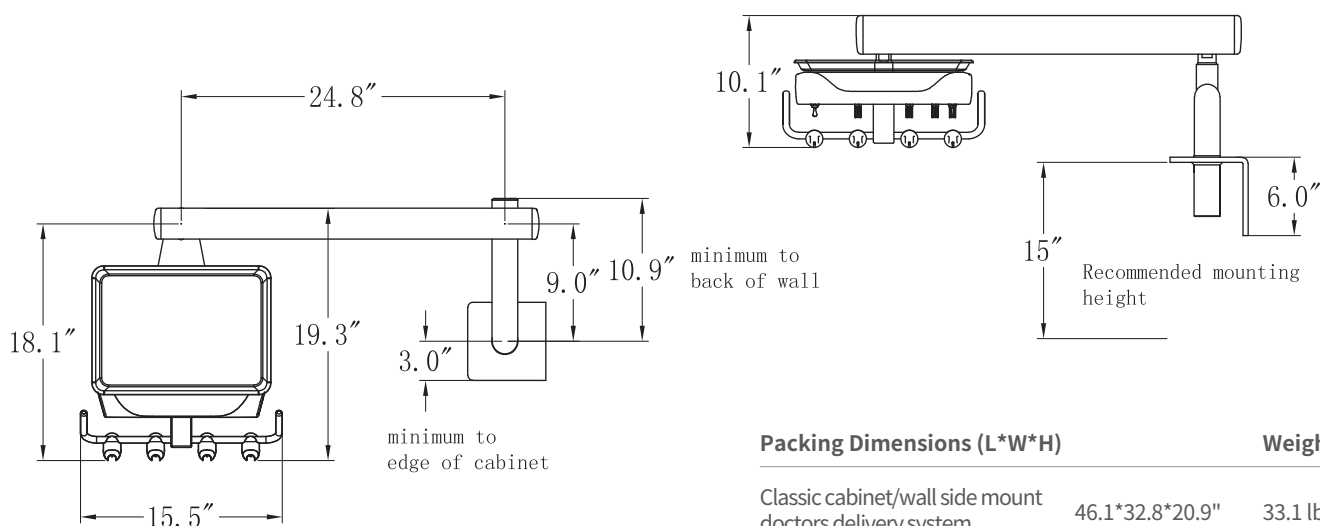
Part number	Retail Price
A0502522	\$3,168

Options

A121532	HP Fiber optic system with 1 tubing (6 pin)	\$468	8018895	Additional 4th handpiece tubing	\$262
A121533	HP Fiber optic system with 2 tubings (6 pin)	\$670		for Classic dentist's control	
A120403	Built in scaler with LED	\$732	A121963	Bien Air MCX Built In System without touchpad	\$3,890
			A121973	Bien Air MCX Built In System with touchpad	\$5,558

Dimensions

Unit: inch



Delivery System

Beyond Cabinet/Wall Side Mount Doctor's Delivery System (CABINET NOT INCLUDED)



Standard Features

Beyond luxury dentist's control head,
 Cast aluminium delivery head base,
 double pivot delivery head,
 with 3 auto H.P.control,
 Individual water coolant controls,
 Master handpiece air coolant adjustment,
 Asepsis handpiece tubing,
 Master on/off switch,
 1 doctor syringe,
 Wet/Dry foot control,
 Stainless steel tray with non-slip pad,
 Flex arm air brake switch,
 24" rigid arm, 2" diameter post mount clamp
 air/water filters, regulators, master shut-off valves
 City water/bottled system

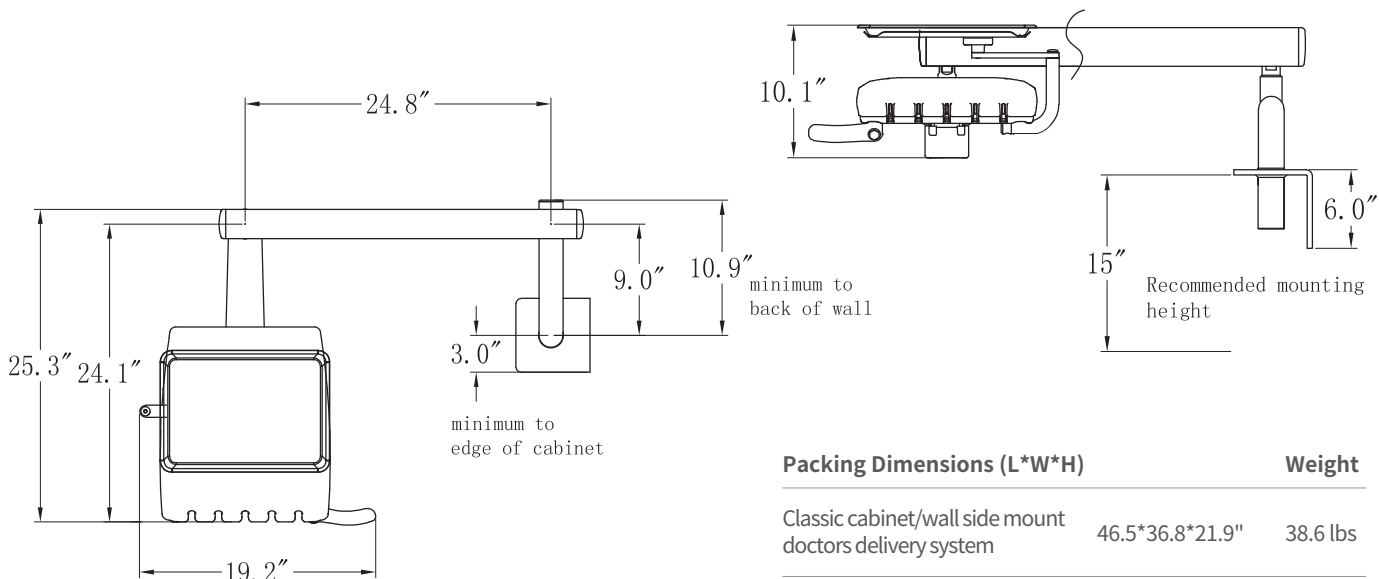
Part number	Retail Price
A0502552	\$4,001

Options

A121532	HP Fiber optic system with 1 tubing (6 pin) -----	\$468	8018895	Additional 4th handpiece tubing -----	\$262
A121533	HP Fiber optic system with 2 tubings (6 pin) -----	\$670		for Classic dentist's control	
A120403	Built in scaler with LED -----	\$732	A121963	Bien Air MCX Built In System -----	\$3,890
				without touchpad	
			A121973	Bien Air MCX Built In System -----	\$5,558
				with touchpad	

Dimensions

Unit: inch



Delivery System

Rear delivery system



Rear delivery unit with arm and table
(cabinet not included)

Part number Retail Price
A0503542 \$5,083



Cabinet mount rear assistant vacuum pkg with table
(cabinet not included)

Part number Retail Price
A0341301 \$2,750



Under Cabinet Arm System

Part number **A0503543**
Retail Price **\$1,087**



Work Surface

Part number **8025420**
Retail Price **\$521**



Under Counter Mounting Plate

Part number **8025423**
Retail Price **\$151**

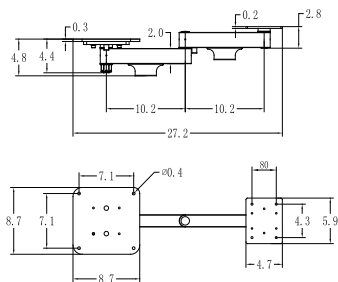
Options

A121532	HP Fiber optic system with 1 tubing (6 pin)	\$468	A120403	Built in scaler with LED	\$732
A121533	HP Fiber optic system with 2 tubings (6 pin)	\$670	A101502	Classic Junction box case with metal frame	\$108
			A101602	Beyond Junction box case with aluminum frame	\$156

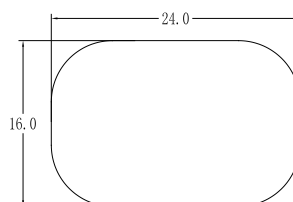
Dimensions

Unit: inch

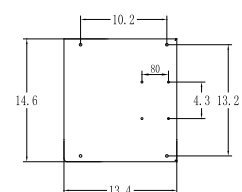
Under Cabinet Arm System



Work Surface



Under Counter Mounting Plate



Packing Dimensions (L*W*H)	Weight
38*28*20"	21 lbs



Cabinet mount rear
left/right swing delivery system



Cabinet mount rear
left/right swing doctor's
control



Cabinet mount rear
assistant vacuum package

Standard Features

Left/right swing dentist's control
and assistant vac pac,
Easy maintain slide out unit case,
3 auto H.P. control,
Individual water coolant controls,
Master handpiece air coolant adjustment,
Asepsis handpiece tubing,
Master on/off switch,
2 doctor syringe,
2HVE, 1SE
Wet/Dry foot control, 7' umbilical
air/water filters, regulators,
master shut off valves
City water/bottled system

Part number **A0503540**
Retail Price **\$3,334**

Left/right swing dentist's control
and assistant vac pac,
Slide out unit case, 3 auto H.P. control,
Individual water coolant controls,
Master handpiece air coolant adjustment,
Asepsis handpiece tubing,
Master on/off switch,
1 doctor syringe,
Wet/Dry foot control, 7' umbilical
air/water filters, regulators,
master shut-off valves
City water/bottled system

Part number **A0503541**
Retail Price **\$2,335**

Swing assistant vac pac,
2HVE, 1SE,
1 Syringe,
Solid collector

Part number **A0341300**
Retail Price **\$1,001**

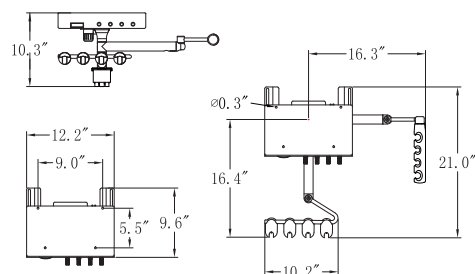
Options

A121532	HP Fiber optic system with 1 tubing (6 pin)	\$468	A120403	Built in scaler with LED	\$732
A121533	HP Fiber optic system with 2 tubings (6 pin)	\$670	A101502	Classic Junction box case with metal frame	\$108
			A101602	Beyond Junction box case with aluminum frame	\$156

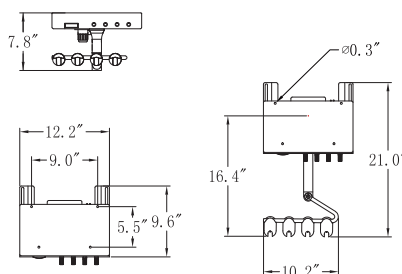
Dimensions

Unit: inch

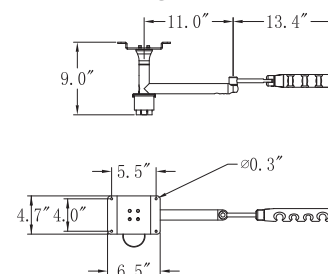
Cabinet mount rear left/right swing delivery system



Cabinet mount rear left/right swing doctor's control



Cabinet mount rear assistant vacuum package



Packing Dimensions (L*W*H)

		Weight
Cabinet mount rear left/right swing delivery system	21.6*17.7*9.5"	39.7 lbs
Cabinet mount rear left/right swing doctors control	21.6*17.7*9.5"	22.1 lbs
Cabinet mount rear assistant vacuum package	21.6*17.7*9.9"	11 lbs

Delivery System

Rear Duo Swing Delivery System

(cabinet not included)



Standard Features

Classic dentist's control head with 3 auto H.P. control, Individual water coolant controls, Master handpiece air coolant adjustment, Asepsis handpiece tubing, Master on/off switch, 1 doctor syringe, Wet/Dry foot control, Stainless steel tray with non-slip pad, Flex arm air brake switch, Solids collector, 2 HVE, 1 SE, 1 syringe, City water/bottled system

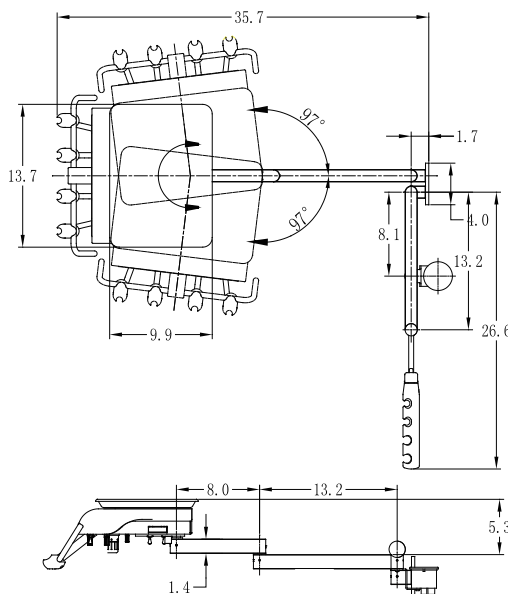
Part number	Retail Price
A0502525	\$3,833

Options

A121532	HP Fiber optic system with 1 tubing (6 pin)	\$468	A101602	Beyond Junction box case with aluminum frame	\$156
A121533	HP Fiber optic system with 2 tubings (6 pin)	\$670	A121963	Bien Air MCX Built In System without touchpad	\$3,890
A120403	Built in scaler with LED	\$732	A121973	Bien Air MCX Built In System with touchpad	\$5,558
A101502	Classic Junction box case with metal frame	\$108			

Dimensions

Unit: inch



Packing Dimensions (L*W*H)	Weight
Cabinet mount delivery system	46.1*32.8*20.9" 24.3 lbs
A121537 Portable delivery system	20*15*32" 70 lbs
A121538 Portable delivery system with scaler and curing light	20*15*32" 72 lbs

Delivery System

MC-4 Mobile Cart



Standard Features

Spacious tray with autoclavable silicon pad
 3 auto H.P hoses control,
 2 HVE, 1SE, 1 syringe
 Individual water coolant controls,
 Master handpiece air coolant adjustment,
 Asepsis handpiece tubing,
 Master on/off switch, Wet/Dry foot control,
 Junction box and valves, 5' umbilical
 City water/bottled system
 Durable metal bottom cover
 With Quick Connect

Part number Retail Price
A0504558 \$2,962

Self Contained Mobile Cart



Standard Features

Spacious tray with autoclavable silicon pad
 3 auto H.P hoses control
 2 HVE, 1SE, 1 syringe
 Individual water coolant controls
 Master handpiece air coolant adjustment
 Asepsis handpiece tubing
 Master on/off switch, Wet/dry foot control
 5' umbilical
 Water bottle system
 Durable metal bottom cover
 With Quick Connect

Voltage 115V 60Hz
 Noise ≤68db
 Compressor power: 630W
 Compressor pressure: 72.5PSI
 Compressor flow: 1.87CFM@72.5PSI
 Vacuum power: 330W
 Vacuum pressure: 5.91inHg
 Vacuum flow: 2.97CFM@ 5.91inHg

Part number Retail Price
A0504559 \$3,962

Options

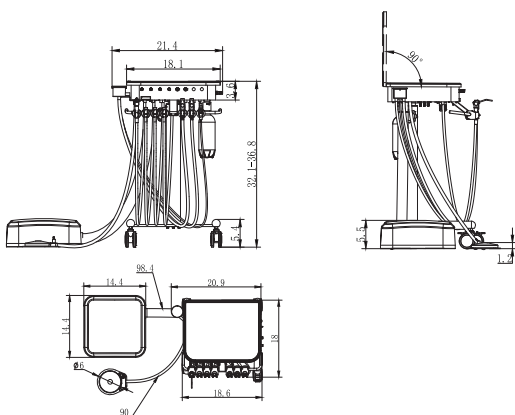
A121532 HP Fiber optic system with 1 tubing (6 pin) ----- \$468
 A121533 HP Fiber optic system with 2 tubings (6 pin) ----- \$670
 A120403 Built in scaler with LED ----- \$732

A121963 Bien Air MCX Built In System ----- \$3,890
 without touchpad
 A121973 Bien Air MCX Built In System ----- \$5,558
 with touchpad

Dimensions

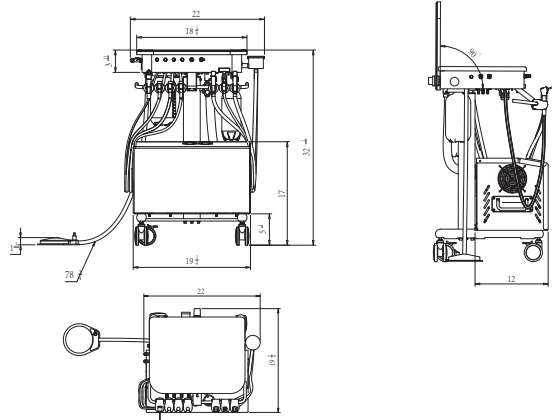
Unit: inch

MC-4 Mobile Cart



Packing Dimensions (L*W*H)	Weight
Mobile Cart 19.6*19.4*33.9"	70.6 lbs

Self Contained Mobile Cart



Packing Dimensions (L*W*H)	Weight
Self Contained Mobile Cart 20.8*20.4*34.7"	158 lbs

Portable Delivery System



Standard

Part number	Retail Price
A121537	\$3,456

with scaler and curing light

Part number	Retail Price
A121538	\$4,788

Standard Features

- Aluminum case
- SE tip
- Clean/Dirt bottle
- Operation panel
- Foot control
- Air tank
- Low/High speed switch
- 1 doctor's syringe
- HP tubing
- 1 LED curing light (Not included in standard configurations)
- 1 ultrasonic scaler (Not included in standard configurations)

Specifications

Voltage	AC 115V 60Hz
Power	690W
Fuse	10A
Vacuum	≤-86Kpa
Water Suction Rate	≥1.5L/min
Compressor Air Flow	≥50L/min
Compressor Air Pressure	0.55MPa
Noise	<65dB
Opening angle	180°
Product Size	18.2X12.8X29.3 inch

Dimensions

Packing Dimensions (L*W*H)		Weight
A121537	20*15*32"	70 lbs
A121538	20*15*32"	72 lbs

Dental Simulation System

Dental Simulation System

Dental Simulation System

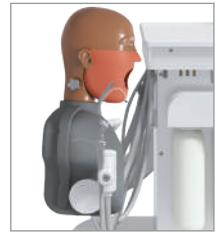


Part number **A124001**
Retail Price **\$6,377**

Self-Contained Dental Simulation System



Part number **A124002**
Retail Price **\$7,377**



Collapsible phantom



Universal wheels



Built-in waste collecting system

Standard Features

- Three axis rotation phantom head
- 1.5L Build-in Water Supply System
- 1.5L Build-in waste Collecting System
- Round Foot Control
- 1 doctor syringe, 1 SE, 1 HP tube
- 2 assistant HP tube
- Post mount dental light with sensor control

Standard Features

- Three axis rotation phantom head
- 1.5L Build-in Water Supply System
- 1.5L Build-in waste Collecting System
- Round Foot Control
- 1 doctor syringe, 1 SE, 1 HP tube
- 2 assistant HP tube
- Post mount dental light with sensor control

Specifications

Voltage: 115V 60Hz
Power: 350W
Noise: ≤60db

Compressor:
Voltage: 115V 60Hz
Power: 630W
Pressure: 72.5PSI
Flow: 1.87CFM@72.5PSI
Noise: ≤68db



Workbench

Part number **8800349A**
Retail Price **\$1,349**

Options

A121532	HP Fiber optic system with 1 tubing (6 pin)	\$468	A121715	Amber II LED light	\$399 Add
A121533	HP Fiber optic system with 2 tubings (6 pin)	\$670	A080103	D3 Doctor stool	\$657
A120501	ADS post mount Monitor bracket	\$799	A080224	N4 Assistant stool	\$806
A120403	Built in scaler with LED	\$732	A121963	Bien Air MCX Built In System without touchpad	\$3,890
A120301	Built-in curing light	\$602	A121973	Bien Air MCX Built In System with touchpad	\$5,558

Dental Light

Dental Light



LEO 8'/9'/10' Ceiling mount LED Dental Surgical Light

Part number		Retail Price
A0601651	8' Ceiling mount	\$5,669
A0601652	9' Ceiling mount	\$5,669
A0601653	10' Ceiling mount	\$5,669



LEO Mobile LED Dental Surgical Light

Part number	Retail Price
A0605651	\$5,669

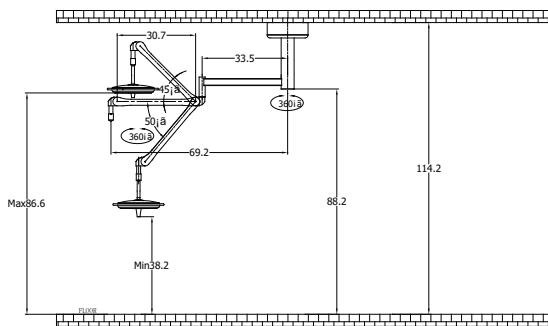
Specifications

- | | |
|---|---|
| <ul style="list-style-type: none"> • Illuminance: 30,000-120000lux • Color rendering index: $\geq 92Ra$ • Color temperature: $4000 \pm 500k$ • Spot diameter: $3.94in \leq d_{10} \leq 9.84in$ • Length of light: $\geq 70in$ • Ceiling static load: 330 lbs • Floor height: $\geq 9.52ft$ • Light height adjustment range: 38.2in-86.6in • Power: 65W • Voltage: 110-240V | <ul style="list-style-type: none"> • Illuminance: 30,000-120000lux • Color rendering index: $\geq 92Ra$ • Color temperature: $4000 \pm 500k$ • Spot diameter: $3.94in \leq d_{10} \leq 9.84in$ • Length of light: $\geq 70in$ • Floor height: $\geq 9.52ft$ • Light height adjustment range: 29.5in-77.0in • Power: 65W • Voltage: 110-240V |
|---|---|

Dimensions

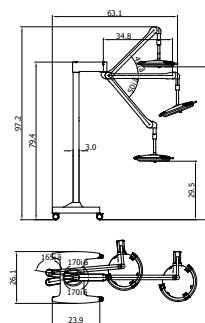
Unit: inch

LEO Ceiling mount LED Dental Surgical Light



Packing Dimensions (L*W*H)	Weight
Ceiling mount 43*16*23"	86 lbs.
Light head and arm 39*37*9"	67 lbs.

LEO Mobile LED Dental Surgical Light



Packing Dimensions (L*W*H)	Weight
47*31*22	254 lbs.

Dental Light



Libra 8'/9'/10' Ceiling mount LED Dental Light

Part number		Retail Price
A0601641	8' Ceiling mount	\$3,401
A0601642	9' Ceiling mount	\$3,401
A0601643	10' Ceiling mount	\$3,401



Libra Mobile LED Dental Light

Part number	Retail Price
A0605641	\$3,401

Specifications

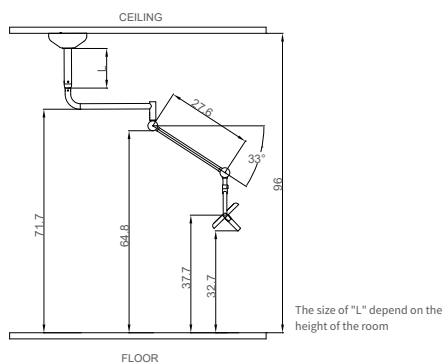
- Illuminance: 17,500-70000lux
- Color rendering index: $\geq 90\text{Ra}$
- Color temperature: $4000 \pm 500\text{k}$
- Spot diameter: $3.94\text{in} \leq d \leq 9.84\text{in}$
- Length of light: $\geq 70\text{in}$
- Ceiling static load: 140lbs
- Floor height: $\geq 9.52\text{ft}$
- Light height adjustment range: 55in-106in
- Power: 35W
- Voltage: 110V

- Illuminance: 17,500-70000lux
- Color rendering index: $\geq 90\text{Ra}$
- Color temperature: $4000 \pm 500\text{k}$
- Spot diameter: $3.94\text{in} \leq d \leq 9.84\text{in}$
- Length of light: $\geq 70\text{in}$
- Floor height: $\geq 9.52\text{ft}$
- Light height adjustment range: 36in-86in
- Power: 35W
- Voltage: 110V

Dimensions

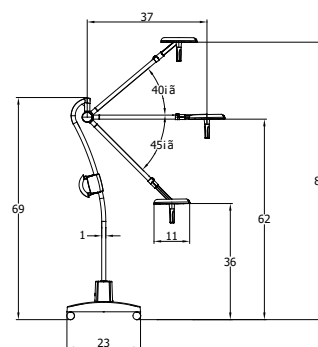
Unit: inch

Libra Ceiling mount LED Dental Light



Packing Dimensions (L*W*H)	Weight
44*14*10"	43 lbs.
15.3*15.3*7.7"	4.8 lbs.

Libra Mobile LED Dental Light



Packing Dimensions (L*W*H)	Weight
35*33*12"	48.5 lbs.

Dental Light

Post mount Libra LED Dental Light 24"/40"

Specifications

- Illuminance: 17,500-70000lux
- Color rendering index: $\geq 90Ra$
- Color temperature: $4000 \pm 500k$
- Spot diameter: $3.94in \leq d_{10} \leq 9.84in$

Part number		Retail Price
A0602640	40' Ceiling mount	\$2,782
A0602641	24' Ceiling mount	\$2,753



AJ16 Beyond300 with Libra LED Dental Light

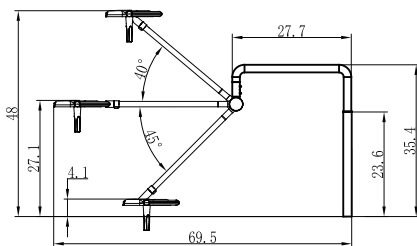


AJ12 Classic200 with Libra LED Dental Light

Dimensions

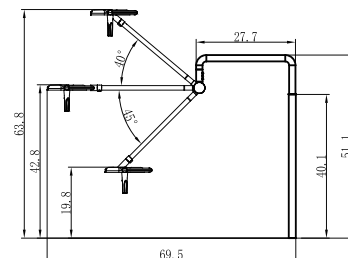
Unit: inch

Post mount Libra LED Dental Light 24"



Packing Dimensions (L*W*H)	Weight
56.8*16*6"	26 lbs.

Post mount Libra LED Dental Light 40"

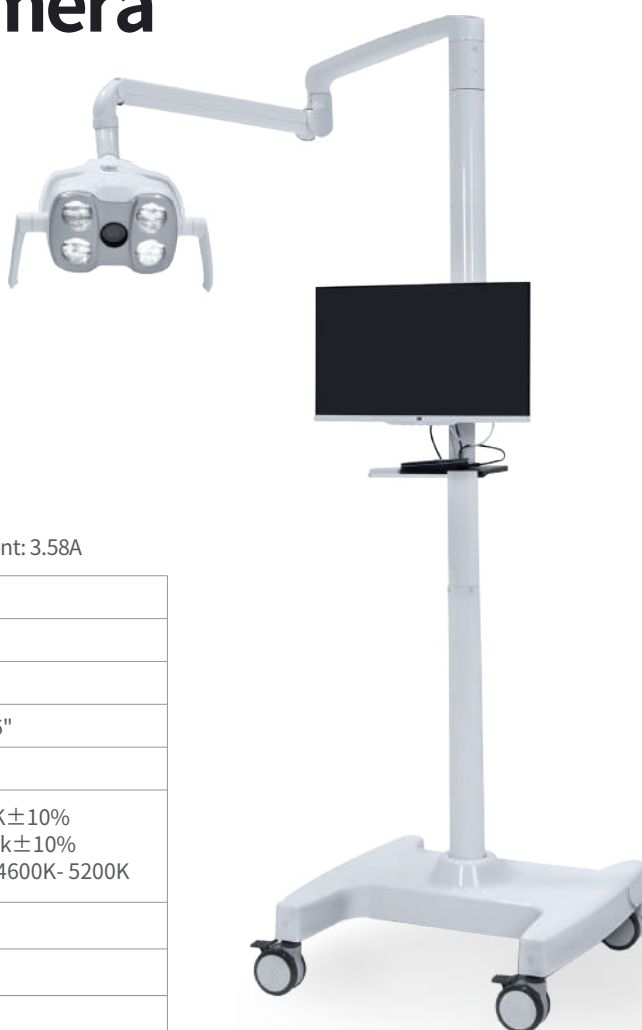


Packing Dimensions (L*W*H)	Weight
56.8*16*6"	27.5 lbs.

Hubble II Dental camera recording system

(Delivery in 60 days)

Part number Retail Price
A0605680 \$14,400



Specifications

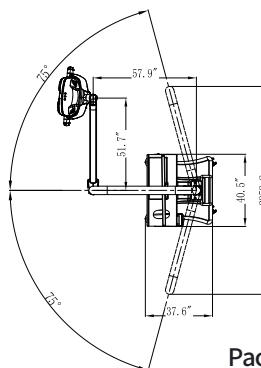
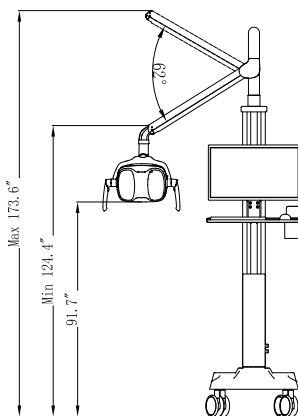
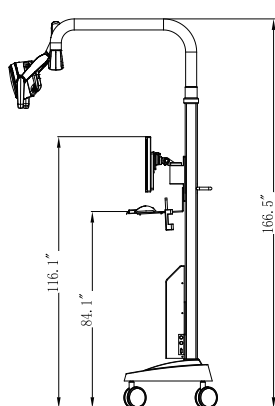
- Voltage: 110V
- Max Power: 98W
- Max Current: 3.58A

Light	Voltage	AC 24V
	Max Power	50W
	Max Current	2.08A
	Lighting spot size	3.93"*7.87"*27.56"
	Illuminance	8000Lx-40000Lx
	Color temperature	White light: 5500K±10% Yellow light: 3500k±10% Composite light: 4600K- 5200K
	Focal Length	27.56"
	Light Source	12 LEDs
	Color Rendering Index(CRI)	Ra≥90, Rf≥90

Computer	Voltage	100-240V	Camera	Resolution	1080P(1920x1080px)
	Max Power	48W		Zoom	30x optical zoom
	Max Current	1.5A		Autofocus Range	17.7"-39.4"
	Storage Capacity	512GB SSD			
	Screen Size	21.5"			

Dimensions

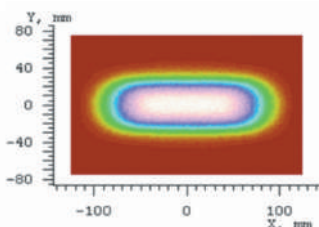
Unit: inch



Packing Dimensions (L*W*H) Weight
56.8*16*6" 27.5 lbs.

Dental Light

Whale LED Dental Operating Light



Comfortable vision under Whale color and intensity uniform light pattern

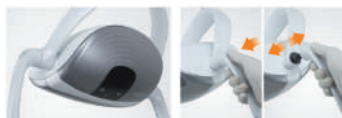
Standard Features

- Non-touch sensor for ON/OFF and dimming;
- Confident adjustment of the light beam
- High quality LED driven by state of art IC;
- Aluminum casting shell as the main heat sink;
- 30,000 hours expected service life guaranteed
- LED sensor light with 3 level adjustment,
- 4 spot LED bulbs,
- Defined rectangular light pattern,
- Three-axis head rotation,
- AC24V,
- Illuminance from 8000-25000 lux,
- Color temperature: 5000-5500k,
- Power consumption:<15W

Smooth & accurate movement



Easy to clean



Whale LED Light head

Part number	Retail Price
A121709	\$751



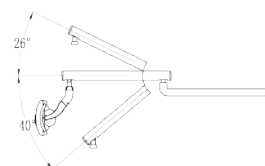
Whale LED Light with arm and bushing

Part number	Retail Price
A0600600	\$1,087

Packing Dimensions (L*W*H)	Weight
31.1*18.1*7.1"	14.3 lbs

Dimensions

Unit: inch



Ritter Light Bushing

Inner diameter:1-3/8"
Outer diameter:1-51/64"

For Ritter K, Dental EZ, Proma, Daray, Faro, Forest lights



Part number	Retail Price
8100576	\$34

Pelton & Crane® Light Bushing

Inner diameter:1-11/16"
Outer diameter:1-51/64"

For P&C, A-dec®, Marus®, Belmont, Knight L lights



Part number	Retail Price
8100581	\$34

Light Bushing A

Inner diameter: 1-3/8"
Outer diameter: 1-7/8"

For DCI, TPC light post



Part number	Retail Price
8103245	\$34

Light Bushing B

Inner diameter: 1-3/8"
Outer diameter: 1-1/8"

For Belmont light post



Part number	Retail Price
A121541	\$34

Whale LED Light

Dimensions Unit: inch



Post mount Whale LED Dental Light 30"/40"

	Part number	Retail Price
30" Post mount	A0602600	\$1,334
40" Ortho Post mount	A0602602	\$1,416

Packing Dimensions (L*W*H)	Weight
30"/40"Light	30"Light 16.5 lbs 40"Light 17 lbs
40"Post	40.9*2.7*2.7" 7 lbs



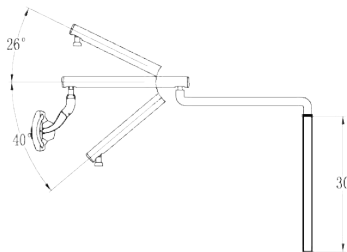
Ceiling mount Whale LED Dental Light

Part number		Retail Price
A0601601	8' Ceiling mount	\$2,167
A0601602	9' Ceiling mount	\$2,167
A0601603	10' Ceiling mount	\$2,167

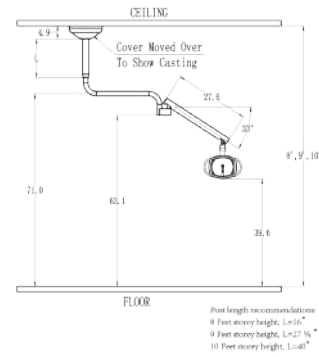
8'/9'/10' Ceiling mount Whale LED Dental Light

Packing Dimensions (L*W*H)	Weight
Ceiling Light	35*13*9.6" 33 lbs

Post mount Whale LED Dental Light 30"/40"



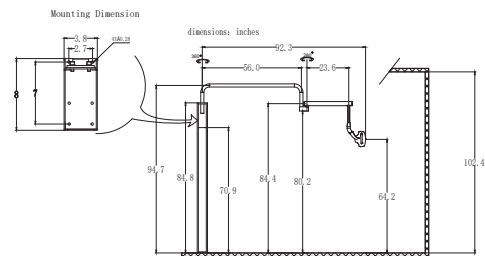
Ceiling mount Whale LED Dental Light



Cabinet mount Whale LED Dental Light (cabinet not included)

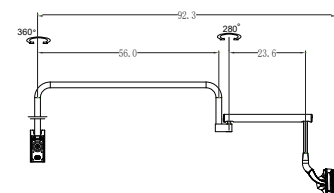
Part number	Retail Price
A0601604	\$2,669

Packing Dimensions (L*W*H)	Weight
62*10*30"	36 lbs



Wall mount Whale LED Dental Light

Part number	Retail Price
A0606600	\$2,921



Dental Light

Amber II LED Dental Light



Easy switch of 3 operating modes through the upper sensor White light, yellow light and composite light

3 axis head rotation



On/off control



Intensity control
Adjusting color temperature through touching the upper sensor

Standard Features

Power input: AC24V
Illuminance: 8000-40000 lux

Color temperature
White light: 5200k
Yellow Light: 3500k
Composite Light: 4400k-5200k
Power consumption: <10W

Amber II LED light head

Part number	Retail Price
A121715	\$1,150



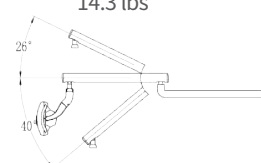
Amber II LED Light with arm and bushing

Part number	Retail Price
A0600670	\$1,486

Packing Dimensions (L*W*H)	Weight
31.1*18.1*7.1"	14.3 lbs

Dimensions

Unit: inch



Ritter Light Bushing

Inner diameter: 1-3/8"
Outer diameter: 1-51/64"
For Ritter K, Dental EZ, Proma, Daray, Faro, Forest lights



Part number	Retail Price
8100576	\$34

Pelton & Crane® Light Bushing

Inner diameter: 1-11/16"
Outer diameter: 1-51/64"
For P&C, A-dec®, Marus®, Belmont, Knight L lights



Part number	Retail Price
8100581	\$34

Light Bushing A

Inner diameter: 1-3/8"
Outer diameter: 1-7/8"
For DCI, TPC light post



Part number	Retail Price
8103245	\$34

Light Bushing B

Inner diameter: 1-3/8"
Outer diameter: 1-1/8"
For Belmont light post



Part number	Retail Price
A121541	\$34

Amber II LED Light



Post mount Amber II LED Dental Light 30"/40"

	Part number	Retail Price
30" Post mount	A0602670	\$1,733
40" Ortho Post mount	A0602672	\$1,814

Packing Dimensions (L*W*H)	Weight
30"/40"Light	31.1*18.1*7.1"
	30"Light 16.5 lbs
	40"Light 17 lbs
40"Post	40.9*2.7*2.7"
	7 lbs



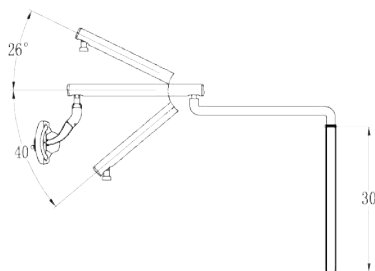
Ceiling mount Amber II LED Dental Light

Part number		Retail Price
A0601671	8' Ceiling mount	\$2,566
A0601672	9' Ceiling mount	\$2,566
A0601673	10' Ceiling mount	\$2,566

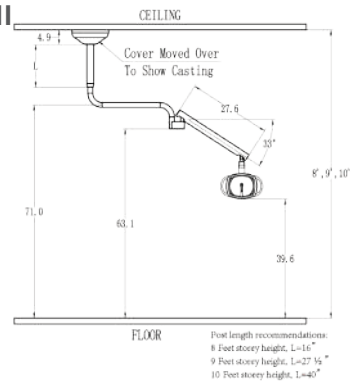
8'/9'/10' Ceiling mount Amber II LED Dental Light

Packing Dimensions (L*W*H)	Weight
Ceiling Light	35*13*9.6"
	33 lbs

Post mount Amber II LED Dental Light 30"/40"



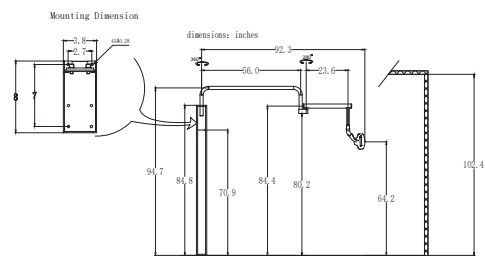
Ceiling mount Amber II LED Dental Light



Cabinet mount Amber II LED Dental Light (cabinet not included)

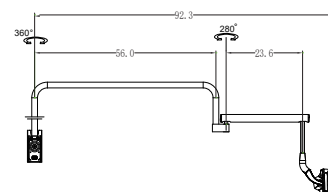
Part number	Retail Price
A0601674	\$3,067

Packing Dimensions (L*W*H)	Weight
62*10*30"	36 lbs



Wall mount Amber II LED Dental Light

Part number	Retail Price
A0606670	\$3,319



Hubble II LED Dental Light



Mixed Light



White Light



Yellow Light

Standard Features

- Power Input: AC24V
- Maximum Power: 50W
- Illumination: 8000Lux~40000Lux
- Color Temperature - White Light: 5500K+10%
- Color Temperature - Yellow Light: 4600k~5200k
- Color Temperature - Mixed Light: 3500k+10%

Hubble II LED light head

Part number	Retail Price
A121728	\$1,750

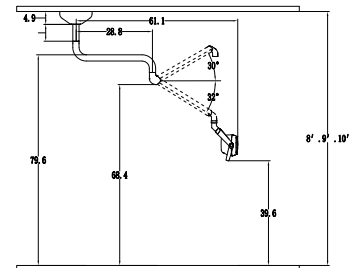


Ceiling mount Hubble II LED Dental Light

Part number		Retail Price
A0601681	8' Ceiling mount	\$3,166
A0601682	9' Ceiling mount	\$3,166
A0601683	10' Ceiling mount	\$3,166

8'/9'/10' Ceiling mount Hubble II LED Dental Light

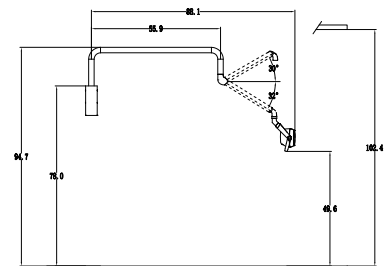
Packing Dimensions (L*W*H)	Weight
Ceiling Light 35*13*9.6"	33 lbs



Cabinet mount Hubble II LED Dental Light (cabinet not included)

Part number	Retail Price
A0601684	\$3,667

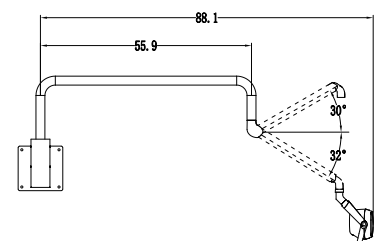
Packing Dimensions (L*W*H)	Weight
31.1*18.1*7.1"	14.3 lbs



Wall mount Hubble II LED Dental Light

Part number	Retail Price
A0606680	\$3,919

Packing Dimensions (L*W*H)	Weight
31.1*18.1*7.1"	14.3 lbs



Accessories Option

Accessories Option

Bien Air MCX Built In System



Without touchpad
 Part number: A121963
 Retail Price: \$3,890



With touchpad
 Part number: A121973
 Retail Price: \$5,558

Bien Air MX2 Built In System



Without touchpad
 Part number: A121997
 Retail Price: \$4,572



With touchpad
 Part number: A121998
 Retail Price: \$6,240

Standard Features

To ensure the micromotor offers a longer service life, the DMCX electronic control has built-in automatic regulation to prevent overheating. The MCX's motor phases and light output are protected against short circuits. Just like its big brother, the MX2 micromotor, the MCX micromotor is designed to withstand the harshest treatment. Superior expertise in brushless technology combined with the very strictest-manufacturing processes are a given. Thanks to its ball-bearings, which are lubricated for life, the MCX is sterilisable and yet maintenance-free. The result is even better hygiene and usage conditions, combined with very low maintenance costs.



Bien Air MCX/MX2 Built In System in Classic dentist control



Bien Air MCX/MX2 Built In System in Beyond dentist control

Options



MCX INT 2nd MCX Motor Addition Kit

Part number
8301841
 Retail Price
\$2,215

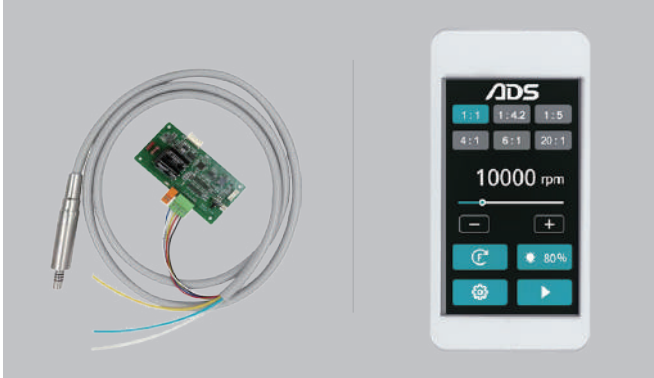


MX2 INT 2nd MX2 Motor Addition Kit

Part number
8300884
 Retail Price
\$2,477

Accessories Option

AJEM1 Built in Electric Motor System with touchpad



Part number: A121999

Retail Price: \$1800

Options



AJEM1 Motor Head

Part number: 8305061
Retail price: \$258



AJEM1 Motor Handpiece Hose

Part number: 8305063
Retail price: \$100



AJEM1 Motor Control Board

Part number: 8305062
Retail price: \$358

Standard Features

Rated powerinput: AC100~240V
Rated frequency: 50Hz/60Hz
Rated torque: >2N.cm
Maximum noise: ≤65dB

Ambient temperature: -40°C~55°C
Humidity: <80%
Air Pressure: 50~106kPa



AJEM1 Built in Electric Motor System in Classic dentist control



AJEM1 Built in Electric Motor System in Beyond dentist control

HP Fiber optic system with 1 tubing(6pin)

Part number Retail Price
A121532 \$468



HP Fiber optic system with 2 tubing(6pin)

Part number Retail Price
A121533 \$670



Fiber Optic Control Board

Part number Retail Price
A120101 \$250



Fiber Optic Tubing

Part number Retail Price
A120201 \$187



Power adapter

Part number Retail Price
7006478 \$48



Touch Pad for Classic delivery tray

Part number Retail Price
A121712 \$602



Touch Pad for Beyond delivery tray

Part number Retail Price
A121713 \$602



Touch Pad for AJ12/AJ15/AJ16/AJ17 Chair

Part number Retail Price
A121711 \$602



Circuit Board For Touch pad

Part number Retail Price
A121704 \$187



Built-in curing light

Part number Retail Price
A120301 \$602



Scaler with LED Handpiece

Part number Retail Price
8400387 \$298



Scaler with LED Tips

Part number Retail Price
A120432 \$175/5pcs



Scaler with LED Tip G4/G5/G12/P3/P8

Part number Retail Price
8301257(G4) \$46
8301258(G5) \$46
8302603(G12) \$46
8302604(P3) \$46
8302605(P8) \$46



Built-in scaler with LED

Part number Retail Price
A120403 \$732



Chair Adapter A

For AJ17 Pedo chair



Part number Retail Price
A11201 \$502

Chair Adapter B

For AJ12 Chair/AJ19 Pedo chair
AJ15 chair/ AJ16 orthodontic chair
Connect with Classic 100/Classic101



Part number Retail Price
A11202 \$502

Chair Adapter C

For AJ16 Chair/Connect
with Beyond300/Beyond301



Part number Retail Price
A11203 \$502

Chair Adapter D

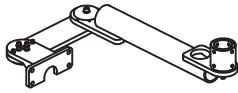
Chair adapterFor
Classic200/Beyond400



Part number Retail Price
A11204 \$502

Adapter E

Chair adapter
For Classic201/Beyond401



Part number Retail Price
A11206 \$619

Adapter F

Swing rear adapter for Bel20



Part number Retail Price
A11205 \$502

Adapter G

Swing adapter for Bel20



Part number Retail Price
A11207 \$502

Adapter H

OTP Post mount adapter for Bel20



Part number Retail Price
A11208 \$502

Chair adapter M

Chair adapter for
AJ18 Beyond300/301



Part number Retail Price
A11209 \$502

Swing mounted monitor arm and bracket

Part number Retail Price
A11302 \$799



ADS Post mount Monitor bracket

Part number Retail Price
A120501 \$799



Continental Post mount dentist's control

Part number Retail Price
A0502530 \$4,166



Continental Swing mount dentist's control

Part number Retail Price
A0502531 \$4,999



Suction System



EOS Extraoral Dental Suction System II

Standard Features

The new noise reduction suction arm reduces the noise by 6~7 db, thereby reducing high-frequency noise. The latest joint of the new suction arm can be adjusted in multiple angles, making it more flexible and convenient to use.

Part number	Retail Price
A122004	\$3,190

Special Price: **\$1,980**

EOS Noise Reduction Arm

Standard Features

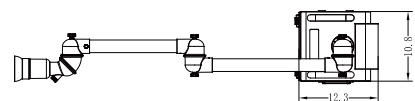
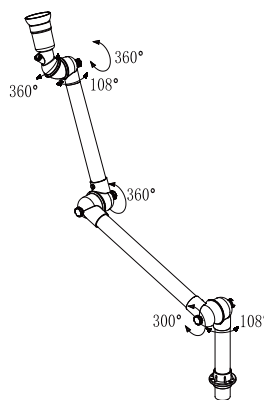
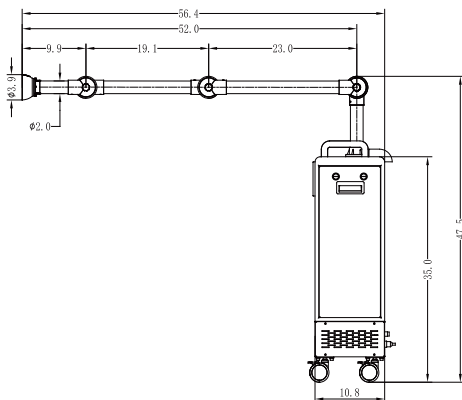
Adjustable joints, more flexible and convenient, adjustable to any angle

Part number	Retail Price
A121959	\$240



Dimensions

Unit: inch



MANUFACTURER'S WARRANTY

All products sold to and installed by authorized ADS dealers are warranted against defects in materials and workmanship for a period of ten (10) years from date of purchase.

Patient chair, Surgical Chair and hydraulic system and original components (excluding upholstery) are warranted for ten (10) years after date of purchase, subject to installation and service qualification.

All upholstery (Include Child Cushion, Neck & Back Cushion, Arm Slings, Armrest Cover Upholstery is warranted for five (5) years under normal use and services after date of purchase.

Comfort kit is warranted for two (2) years after date of purchase.

Delivery system is warranted for ten (10) years after date of purchase.

Dental light is warranted for five (5) years after date of purchase.

Hubble II Dental camera recording system is warranted for five (5) years after date of purchase.

Orthodontic Cart is warranted for three (3) years after date of purchase.

Stool is warranted for five (5) years after date of purchase.

Fiber Optic Tubing, Scaler, Curing Light are warranted for one (1) year after date of purchase.

Mobile Carts is warranted for five (5) years after date of purchase.

Portable delivery system is warranted for five (5) years after date of purchase.

Dental simulation system is warranted for five (5) years after date of purchase.

Mechanical room compressors and vacuums are warranted for five (5) years after date of purchase.

Water filter system is warranted for five (5) years after date of purchase.

Mechanical room add-on accessories and control modules is warranted for one (1) years after date of purchase.

Bien Air Built in Systems are warranted for free (3) years after date of purchase.

Cassette Autoclave is warranted for two (2) years after date of purchase.

Faulty parts will be repaired or replaced as determined by dealer service representative. No claim for labor or consequential damages will be allowed.

The warranty does not cover damage from improper installation or maintenance, misuse, or accidents incurred in shipping by the transport company.

SHIPPING

All prices are Ex Works Ontario California, U.S.A.

Standard shipping will be by ground. Air or expedited service is available upon request.

UPHOLSTERY MAINTENANCE INSTRUCTION

The upholstery provides users unparalleled comfort, excellent aesthetics and reliable quality.

The upholstery has a one-year warranty on defective materials and workmanship.

This instruction ensures a longer life of the upholstery if it is properly maintained.

CLEANING

Users can clean the upholstery with mild solution, non-ionic detergent, water or cleaners without alcohol, bleach or ammonia.

Do not use abrasive cleansers or tools which can permanently damage the surface of upholstery.

DISINFECTION

ADS Dental System suggests disinfecting the leather once a month with a 3% hydrogen peroxide solution, leather cleaner or 3% multi-enzyme cleaner based on its instruction to ensure effective disinfection, and then fully wipe it with water.

NON ACCEPTABLE DISINFECTANTS AND CLEANERS INCLUDE

Alcohol, potentiated glutaraldehyde disinfectant, liquid bleach, Benzammonium bromide (Benzalkonium chloride) disinfectant, Benzoyl chloride ammonium propanol disinfectant or any kind of acid and alkaline disinfectants which will lead to the aging, cracking or color difference of the upholstery.

DAMAGE OR DISCOLORATION OF SURFACE FINISHES IS NOT COVERED UNDER THE ADS WARRANTY.

ADS Dental System makes no representation as to the disinfection efficacy of any disinfectant product. questions regarding product efficacy should be directed to the specific manufacturer of that product. we make no warranty expressed or implied regarding any damage resulting from the use of any disinfectant. damage and/or discoloration of any surface is not covered by our warranty.

RETURN & REFUND POLICY

ADS Equipment will accept return and unused product within 60 days of ship date, subject to the following conditions:

The product must be unused, saleable and returned in the original shipping materials. The box or boxes may have been opened but all contents must be returned.

Call: ADS Equipment at 626.620.0456 with the original purchase order number and request a return materials authorization (RMA) number be printed on the box (e.g. RMA 12345).

Ship product to:ADS Equipment 1590 S. Milliken Ave. Unit A Ontario, CA. 91761

Return shipping cost is the customer's responsibility.

After receipt and inspection of the returned product, ADS will either credit the customer's account or return payment via the payment card for the invoiced product price plus applicable taxes less a 25% restocking fee and payment discounts taken. Shipping and handling charges are not subject to a refund.

Damaged in Transit

If a product is damaged upon delivery to our dealer, it is the dealers responsibility to notify the shipper immediately of the damage, so a claim can be assessed. They must also notify ADS immediately.

Special Order Items

Special orders cannot be returned.

DELIVERY TERMS:

Lead Time: Stock orders are shipped within 2 weeks of order date. Special order lead time is negotiable, to be specified on customer's purchase order.

Shipping: All orders are subject shipping and handling charges unless otherwise arranged. All orders are shipped via FedEx ground unless size dictates another method. Expedited delivery, as specified on customer's purchase order, is available at an additional charge.


Promotional pricing: Orders booked to take advantage promotional pricing must be shipped prior to that promotion's expiration date.

ADS Dental System Inc. reserves the right to adjust prices.





 Add: 1590 S Milliken Ave., unit A, Ontario, CA 91761

 www.adsdental.com
www.adsequip.com

 Tel: 626-620-0456

 E-mail: sales@adsequip.com

 Technical Support: 800-488-9708 West Coast: 626-633-7636 East Coast: 626-366-3848